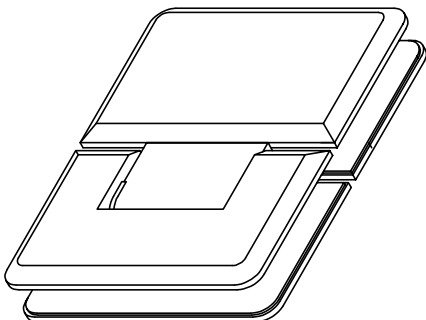
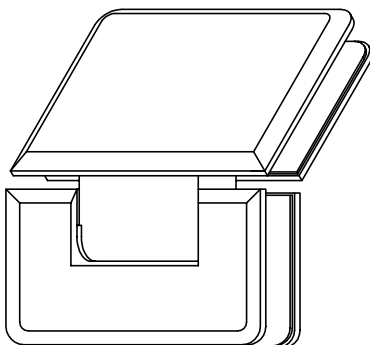


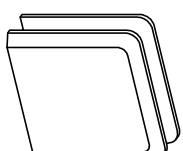
EPH-XXX-04800
GLASS TO WALL HINGE



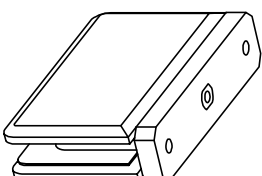
EPH-XXX-04801
GLASS TO GLASS 180° HINGE



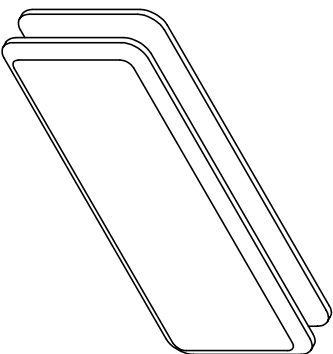
EPH-XXX-04802
GLASS TO GLASS 135° HINGE



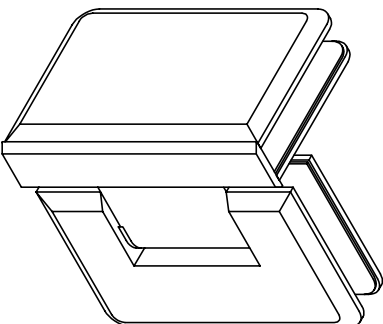
EPH-XXX-04837
GLASS TO WALL CLIP



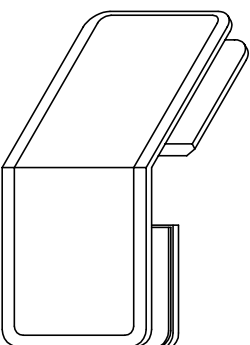
EPH-XXX-04846
PIVOT HINGE



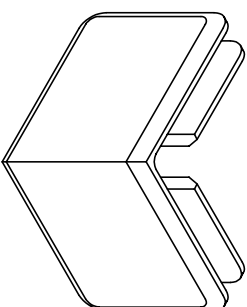
EPH-XXX-04838
GLASS TO GLASS 180° CLIP



EPH-XXX-04840
GLASS TO GLASS 90° HINGE



EPH-XXX-04841
GLASS TO GLASS 135° CLIP



EPH-XXX-04842
GLASS TO GLASS 90° CLIP

1/2 SIZE DETAIL

NOTE: Glazing material for all KD units and Glazed units must conform to
Ansi Z97.1 and CPSC Standard 16 CFC 1201 Category I and II.

XHINGE.DWG
DATE: 8-13-01

SERIES	MODEL	UNIT WIDTH x HEIGHT	DOOR GLASS SIZE
DESIGNLINE HINGE AND CLIP DETAILS			