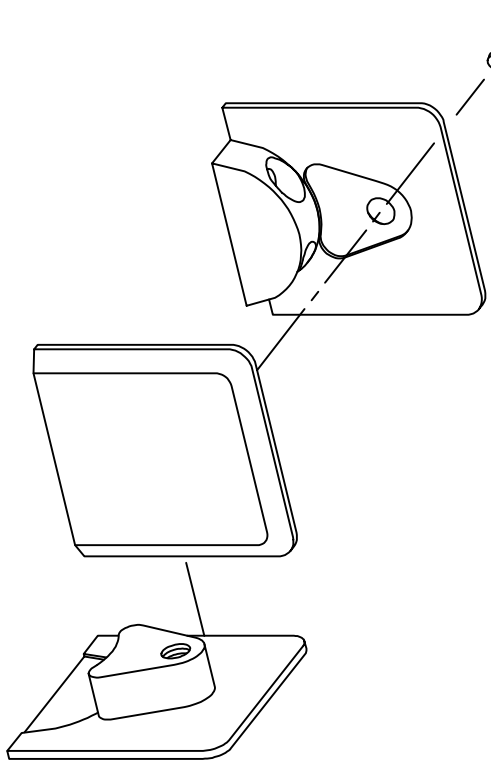
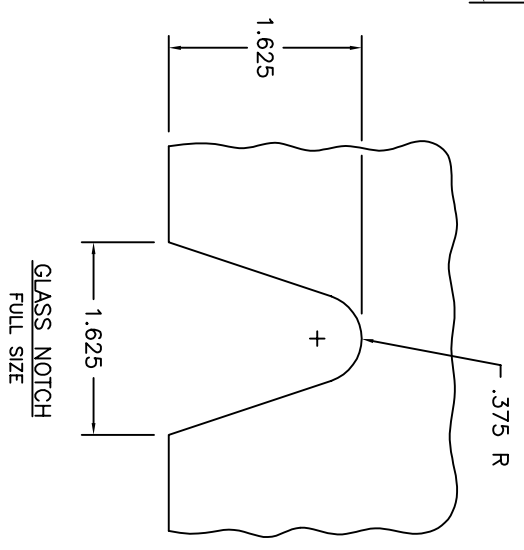
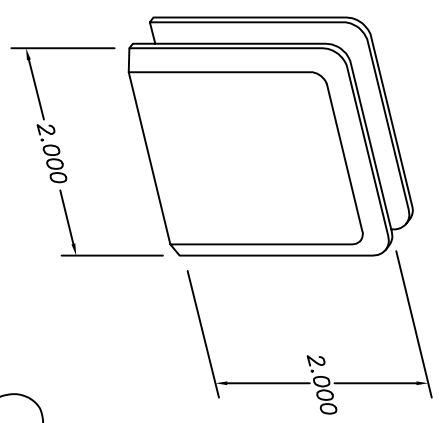
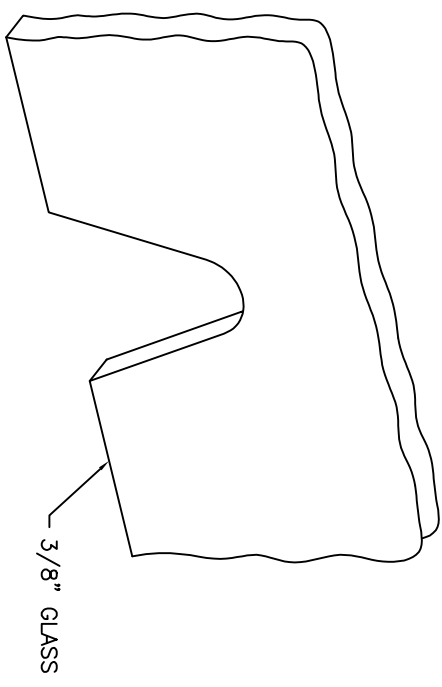



DATE	STA	REVISION	BY
4-6-99	NC	INITIAL RELEASE	DS



 <b>AIUMAX</b> <b>EXTRUSIONS, INC.</b> <small>1677 7174-2848 876-234-2880</small>			
PART NAME	GLASS TO WALL CLIP	PART NO.	EPH-XXX-04837
MATERIAL	BRASS	COLOR	VARIES
DRN. BY	JDS	SCALE FULL. & NTS	DATE 7-1-96
		DRAWING NO.	