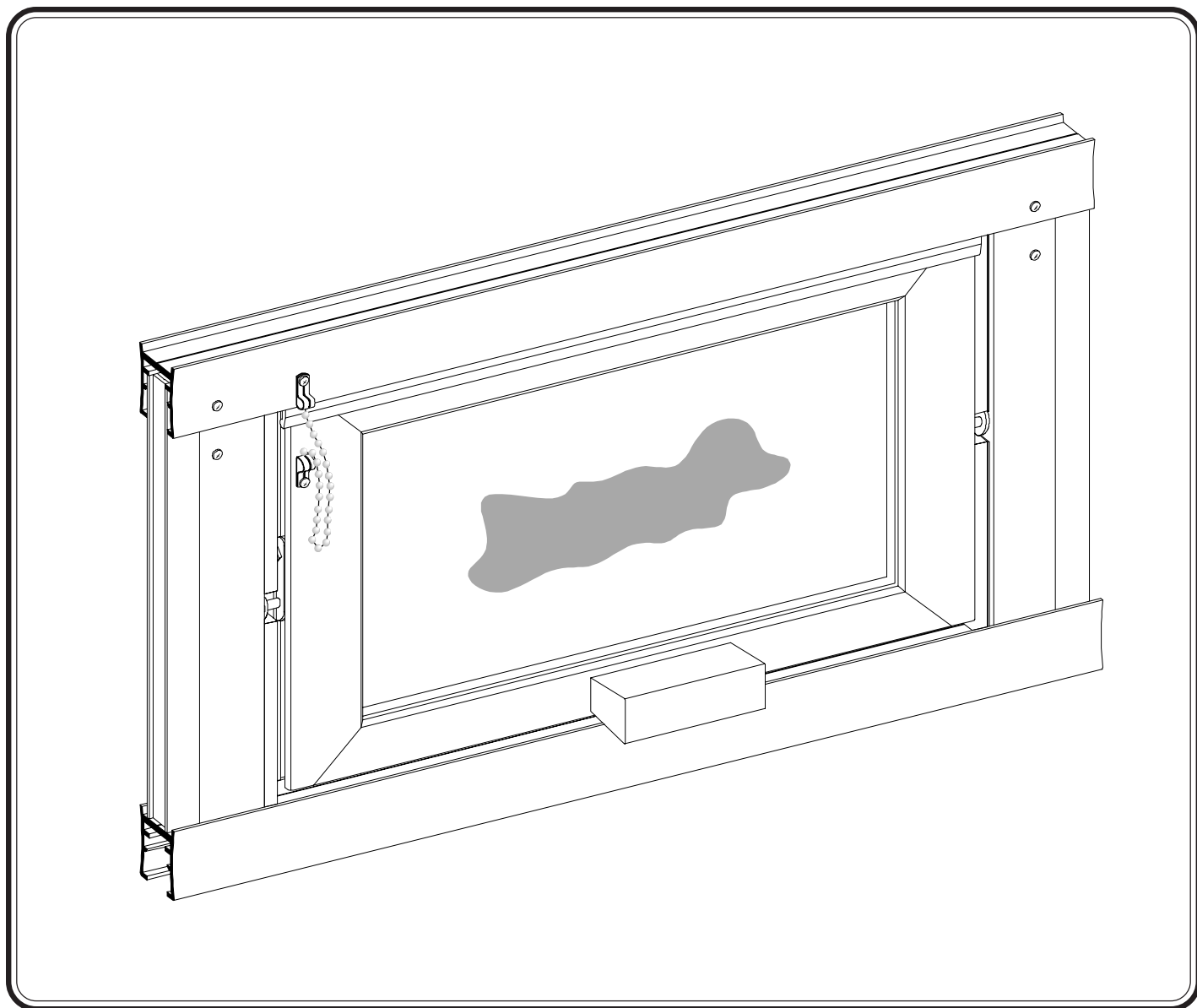




**ALUMAX**  
**BATH ENCLOSURES**  
PO Box 40, Magnolia, AR 71753 (501) 234-4260

INSTALLATION  
INSTRUCTIONS

# STEAM TRANSOM



## LIMITED WARRANTY AND REMEDY

Alumax Bath Enclosures warrants to its dealers, customers, and all subsequent purchasers and users, that the products supplied by it shall be free from material defects in material and workmanship for a period of one (1) year after shipment, provided they are installed and maintained according to Alumax Bath Enclosures' recommended practices and installation instructions. This warranty shall apply only to defects appearing within one (1) year from the date of shipment, and provided that Alumax Bath Enclosures is promptly notified in writing of such defects. The sole and exclusive remedy with respect to the above warranty or with respect to any other claim relating to defects or any other condition or use of the products supplied by Alumax Bath Enclosures, however caused, and whether such claim is based upon warranty contract, negligence, strict liability, or any other theory, is limited to repair or supply of such products, or repayment by Alumax Bath Enclosures of the purchase price paid for it, at Alumax Bath Enclosures' option.

*Alumax Bath Enclosures does not make any other representations or warranties, express or implied, including, but not limited to, any implied warranty of merchantability and any implied warranty of fitness for a particular purpose. In no event shall Alumax Bath Enclosures be liable for special, direct, indirect, or consequential damages, including, but not limited to, loss or use of profits.*

Dealers agree to pass on to its customers and users in writing Alumax Bath Enclosures' Warranty and Remedy as set forth above.

Laws and building and safety codes governing the design and use of bath enclosures vary widely. Alumax Bath Enclosures does not control the selection of product configurations, operating hardware or glazing materials, and assumes no responsibility therefor.

## INSTALLATION NOTES

Unpack your unit carefully and inspect for freight damage. Lay out and identify all parts using the instruction sheets as a reference. Before discarding the carton, check for small hardware bags that tend to fall to the bottom of the box. If any parts are damaged or missing, refer to the descriptions noted in the instructions when contacting your dealer for replacements.

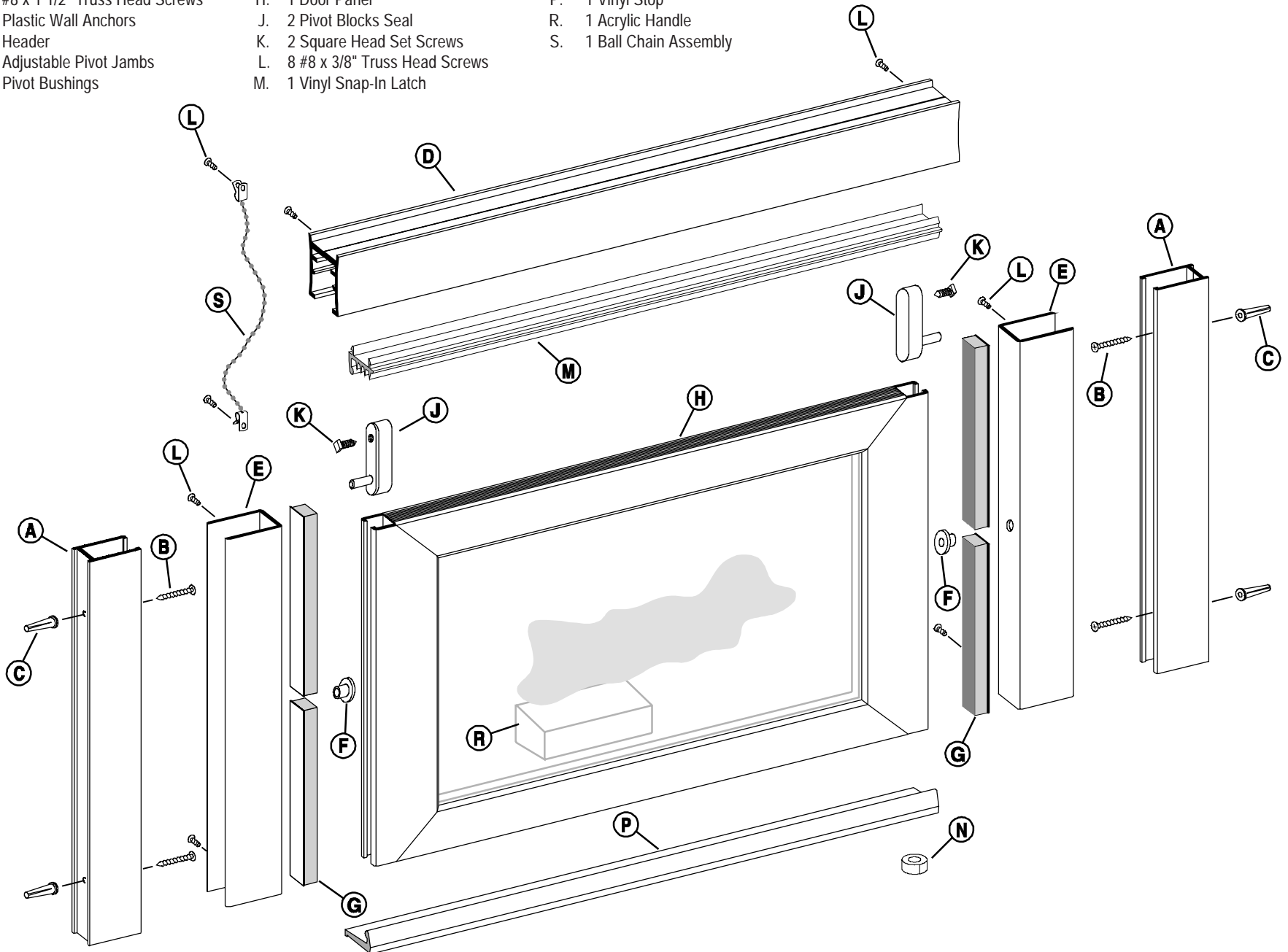
Handle glazed panels carefully. Tempered glass is difficult to break, but the sharp corners of the panels can damage tile and floor coverings.

Please wear safety glasses whenever drilling or cutting.

To install your Alumax Steam Transom you will need the following: tape measure, level, hacksaw, drill, 1/8" and 3/16" drill bits, #2 Phillips screwdriver, sharp knife or razor and caulking (clear silicone recommended). Optional tools include a center punch, files, a miter box for cutting parts to length and masking tape for holding parts in place temporarily.

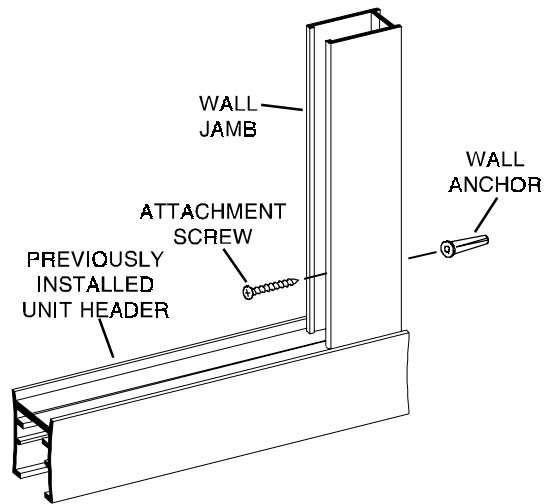
## STEAM TRANSOM PARTS LIST

- |                                    |                                      |                                |
|------------------------------------|--------------------------------------|--------------------------------|
| A. 2 Wall Jamb                     | G. 1 Strip of Woven Pile Seal Screws | N. 1 Roll of Double-Stick Tape |
| B. 4 #8 x 1 1/2" Truss Head Screws | H. 1 Door Panel                      | P. 1 Vinyl Stop                |
| C. 4 Plastic Wall Anchors          | J. 2 Pivot Blocks Seal               | R. 1 Acrylic Handle            |
| D. 1 Header                        | K. 2 Square Head Set Screws          | S. 1 Ball Chain Assembly       |
| E. 2 Adjustable Pivot Jamb         | L. 8 #8 x 3/8" Truss Head Screws     |                                |
| F. 2 Pivot Bushings                | M. 1 Vinyl Snap-In Latch             |                                |

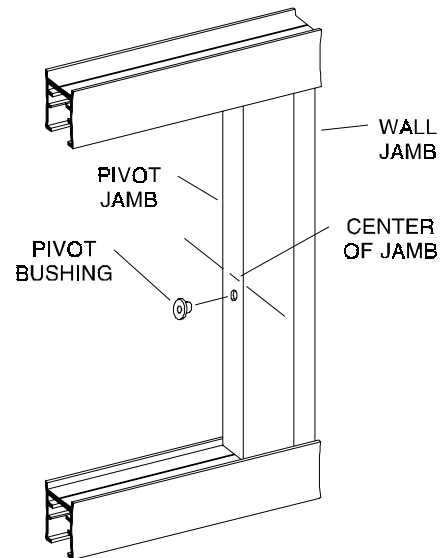


**1** Place the two wall jambs [A] onto your previously installed shower or bath enclosure header. Masking tape may be used to hold the wall jambs in place during this operation. Plumb the jambs and mark the hole locations on the wall. Remove wall jambs and drill the walls for mounting hardware.

For tile or marble walls, drill four 3/16" diameter holes and insert the plastic wall anchors [C]. Attachments to fiberglass or acrylic units can be made in two ways. If a reinforcement is built into the wall of the unit, drill four 1/8" holes to install mounting screws directly into the reinforcement. If walls are not reinforced, drill four 3/16" holes and install plastic wall anchors or toggle bolts (toggle bolts not supplied by Alumax).

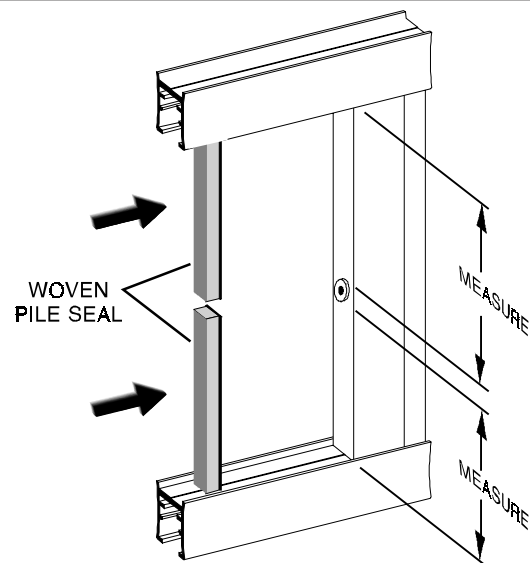


**2** Place header [D] securely onto wall jambs [A]. Observe the adjustable pivot jambs [E] and notice that the predrilled holes are located vertically off center. Slide the adjustable pivot jambs onto the wall jambs with the hole closer to the bottom. Insert the pivot bushings [F] into the predrilled holes.

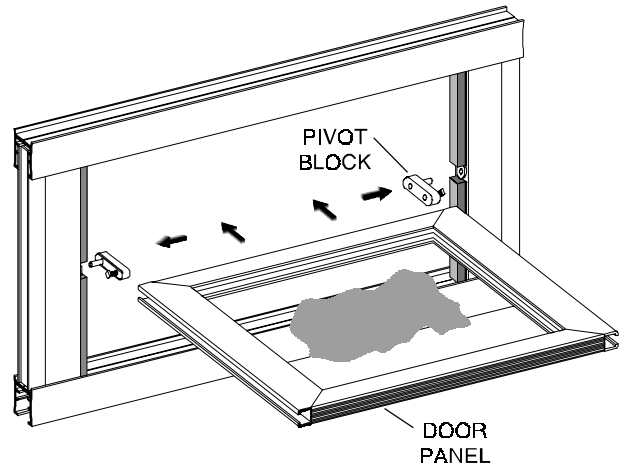


**3** Measure from the edge of the pivot bushings [F] to the ends of the adjustable pivot jambs [E] and cut the strip of 1/8" woven pile seal [G] appropriately. Peel the adhesive backing from the woven pile seals and stick them on the adjustable pivot jambs.

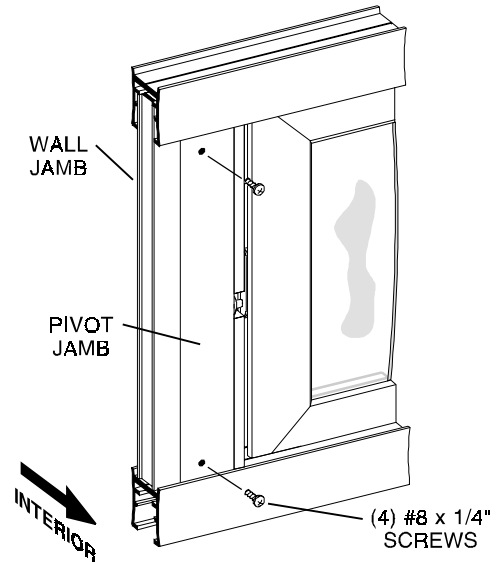
**NOTE:** The pivot bushings are not centered. Be sure to measure from the edge of the pivot bushings to each end of the adjustable pivot jambs.



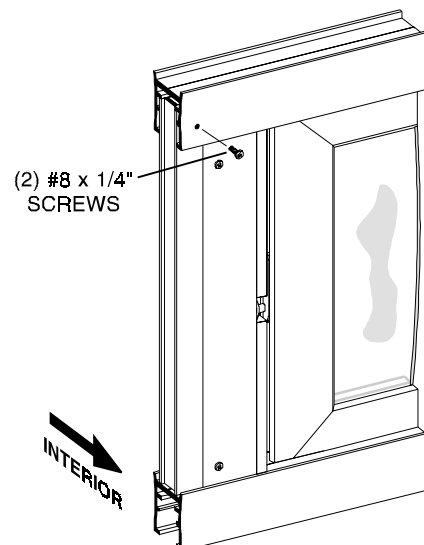
- 
- 
- 4** Insert the pivot blocks [J] into the holes located in the adjustable pivot jambs [E]. Slide the glazed door panel [H] onto the pivot blocks and adjust the pivot jambs so that the strip of 1/8" woven pile seal [G] slightly touches the glazed door panel.



- 
- 
- 5** Drill two 1/8" holes through each adjustable pivot jamb [E] and each wall jamb [A] and install four #8 x 1/4" truss head screws [L].



- 
- 
- 6** Secure the header by drilling two 1/8" holes and installing two #8 x 1/4" truss head screws [L].

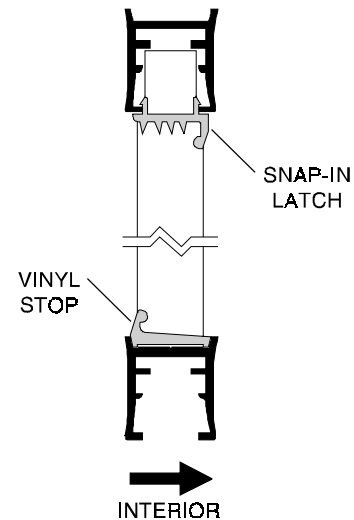


---

---

**7**

Remove the door panel and measure the opening between pivot jamba at the header of the transom and at the header of the previously installed unit. Cut the vinyl snap-in latch and the vinyl stop 1/16" shorter respectively. Push the vinyl snap-in latch [M] into the header with the serrations down. Using the double-stick tape [N], secure the vinyl stop [P] onto your previously installed unit header.

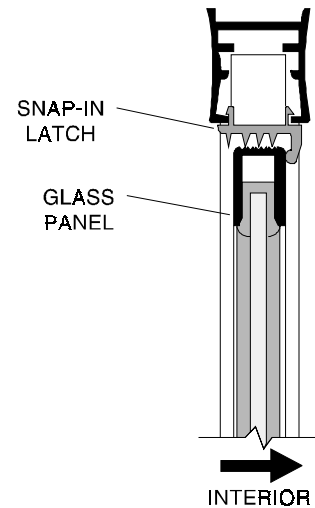


---

---

**8**

Replace the glazed door panel [H]. Adjust the panel up so that the snap-in latch [M] teeth grip the top rail of the panel and keep it closed. The panel should not be pressed so tightly against the latch that it is difficult to open. Using the wrench, secure the door panel by tightening the set screws [K] in the pivot blocks.

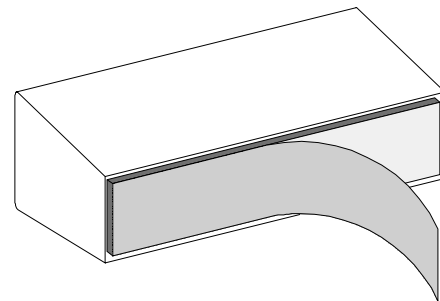


---

---

**9**

Remove the adhesive backing from the acrylic handle [R] and mount on the interior, in the center of the bottom rail of the glazed door panel.



---

---

**10**

Measure horizontally 2" from the end of the header and vertically 3/4" from the top of the header and drill a 1/8" hole into the header. Measure 1" down from the bottom of the header and drill a 1/8" hole into the rail horizontally aligned with the previously drilled hole. Attach the ball chain assembly [S] as shown using two #8 x 1/4" truss head screws [L].

