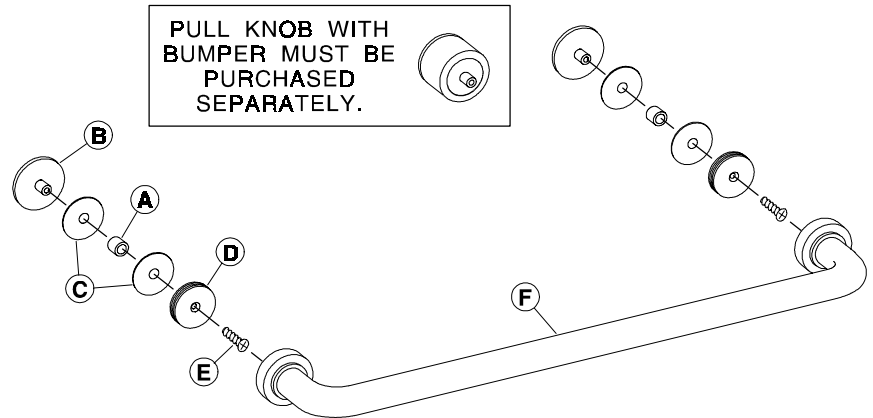


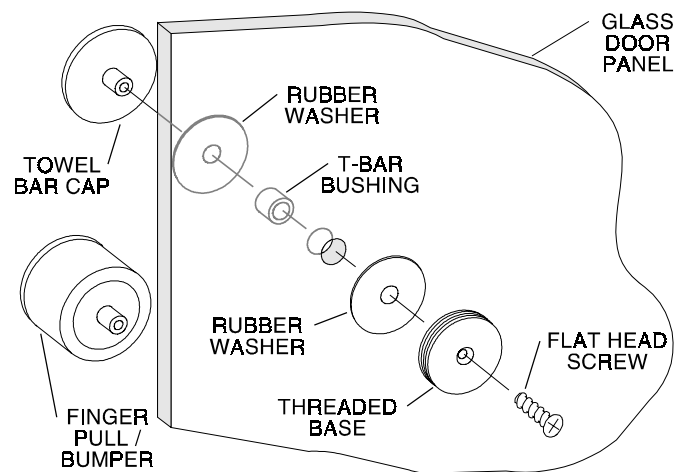
### PARTS LIST

- A. 4 Nylon T-Bar Bushings
- B. 2 Towel Bar Caps
- C. 4 Flat Rubber Washers
- D. 2 Threaded T-Bar Bases
- E. 4 #8 Flat Head Screws
- F. 1 Acrylic Towel Bar Assembly

*T-bar bushings and assembly screws are supplied in two different lengths to fit .188"/.250" or .375" thick glass door panels.*



**1** Place a nylon handle bushing [A] (length determined by the glass thickness) over the shank of a towel bar cap [B]. Slip a rubber washer [C] over the bushing. Insert the cap and bushing into the inside 3/8" hole in one of the doors. Place a second rubber washer against the opposite surface of the glass, position the threaded towel bar base [D] over it and attach it securely with a #8 flat head screw [E]. Repeat for the other door.



**2** Hold the acrylic towel bar assembly [F] against the threaded handle bases and screw the outer handle rings onto the bases. Do not overtighten or use tools that might damage the finish.

