



# ALUMAX

## BATH ENCLOSURES

a product of Alcoa

Tel: 800-600-9124

Fax: 800-449-0293

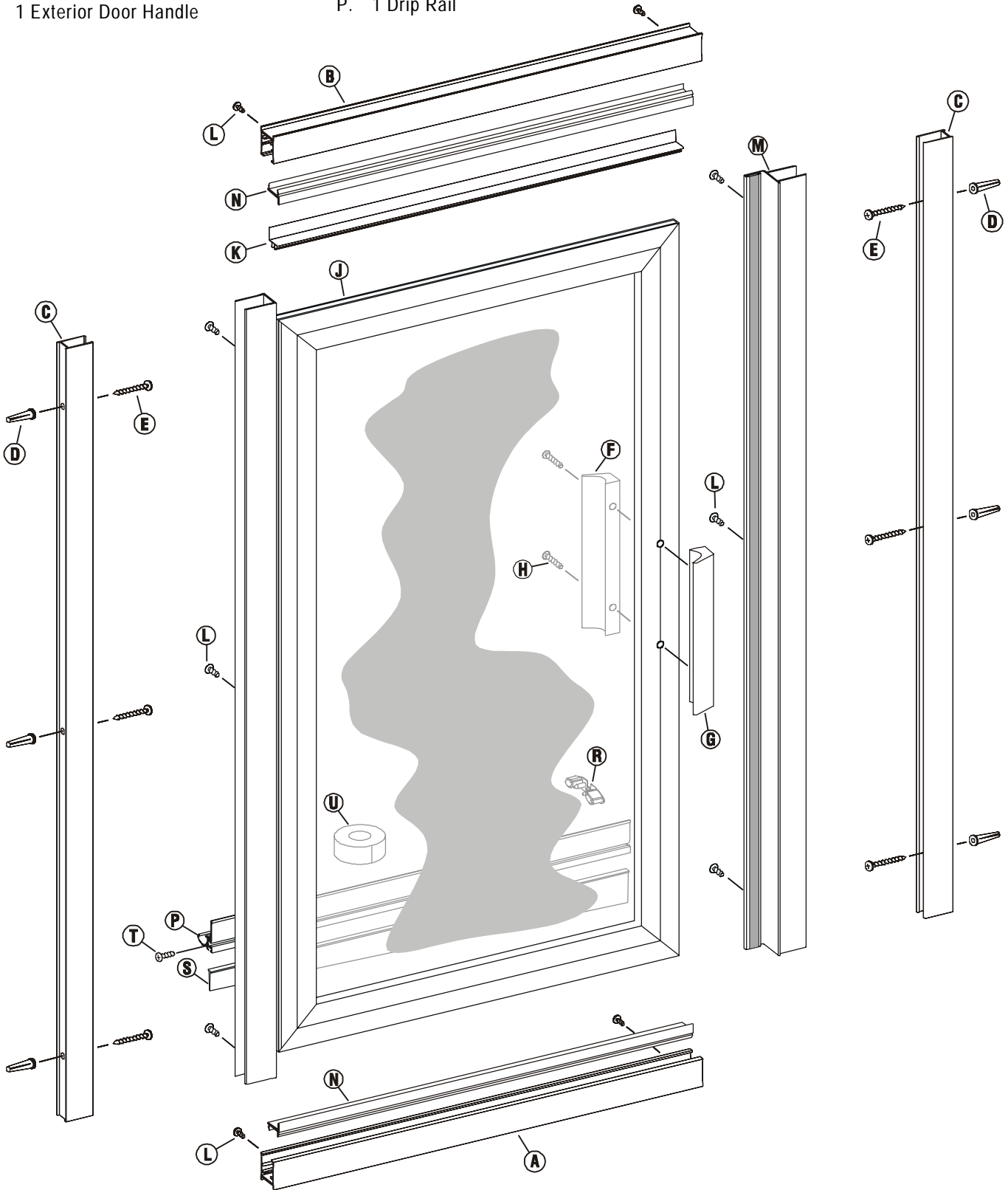
INSTALLATION  
INSTRUCTIONS

# 890 CONTINUOUS HINGE STEAM DOOR



## 890 CONTINUOUS HINGE PARTS LIST

- |  |  |  |
|--|--|--|
| <p>A. 1 Curb<br/>         B. 1 Header<br/>         C. 2 Wall Jamb<br/>         D. 6 Plastic Wall Anchors<br/>         E. 6 #8 x 1 1/2" Truss Head Screws<br/>         F. 1 Interior Door Handle<br/>         G. 1 Exterior Door Handle</p> | <p>H. 2 #6 x 1 1/8" Round Head Screws<br/>         J. 1 Glazed Door Panel<br/>         K. 1 Vinyl Upper Steam Seal<br/>         L. 10 #8 x 1/4" Truss Head Screws<br/>         M. 1 Strike Jamb (Magnetic)<br/>         N. 2 Snap-in Fillers<br/>         P. 1 Drip Rail</p> | <p>R. 2 Drip Plugs<br/>         S. 1 Tapered Drip Vinyl<br/>         T. 1 #6 x 3/8" Truss Head Screw<br/>         U. 1 Roll of Double Stick Tape</p> |
|--|--|--|



## LIMITED WARRANTY AND REMEDY

Alumax Bath Enclosures warrants to its dealers, customers, and all subsequent purchasers and users, that the products supplied by it shall be free from material defects in material and workmanship for a period of one (1) year after shipment, provided they are installed and maintained according to Alumax Bath Enclosures' recommended practices and installation instructions. This warranty shall apply only to defects appearing within one (1) year from the date of shipment, and provided that Alumax Bath Enclosures is promptly notified in writing of such defects. The sole and exclusive remedy with respect to the above warranty or with respect to any other claim relating to defects or any other condition or use of the products supplied by Alumax Bath Enclosures, however caused, and whether such claim is based upon warranty contract, negligence, strict liability, or any other theory, is limited to repair or supply of such products, or repayment by Alumax Bath Enclosures of the purchase price paid for it, at Alumax Bath Enclosures' option.

*Alumax Bath Enclosures does not make any other representations or warranties, express or implied, including, but not limited to, any implied warranty of merchantability and any implied warranty of fitness for a particular purpose. In no event shall Alumax Bath Enclosures be liable for special, direct, indirect, or consequential damages, including, but not limited to, loss or use of profits.*

Dealers agree to pass on to its customers and users in writing Alumax Bath Enclosures' Warranty and Remedy as set forth above.

Laws and building and safety codes governing the design and use of bath enclosures vary widely. Alumax Bath Enclosures does not control the selection of product configurations, operating hardware or glazing materials, and assumes no responsibility therefor.

## INSTALLATION NOTES

Unpack your unit carefully and inspect for freight damage. Lay out and identify all parts using the instruction sheets as a reference. Before discarding the carton, check for small hardware bags that tend to fall to the bottom of the box. If any parts are damaged or missing, refer to the descriptions noted in the instructions when contacting your dealer for replacements.

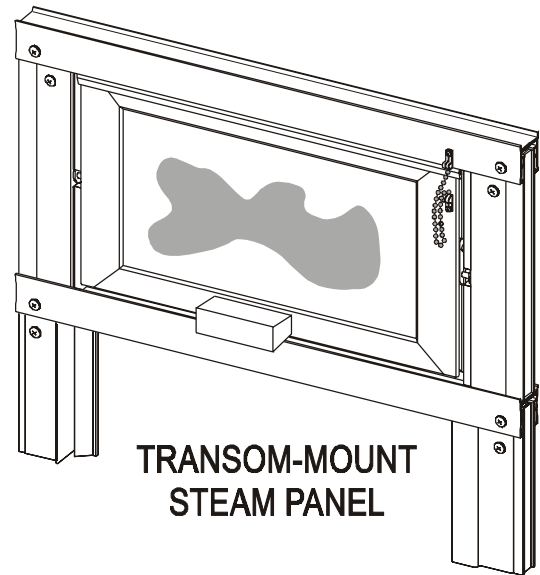
Handle the glass panels carefully and protect the edges. Safety tempered glass is very resistant to breakage, but it can be broken by banging the edges against a hard surface. The sharp corners of the panels can damage tile and floor surfaces, so do not remove any protective devices until you are ready to install the glass.

Please wear safety glasses whenever drilling or cutting. When drilling holes in ceramic tile or marble, use a center punch and hammer to carefully break the surface glaze so the drill can start without skidding.

To install your Alumax Steam Door you will need the following: tape measure, level, #2 Phillips screwdriver, drill, 1/8" and 3/16" drill bits, 3/16" wrench, hacksaw, razor or sharp knife, pencil, glass cleaner, and caulking (clear silicone recommended). Optional tools include a miter box for cutting parts to length, files, center punch and masking tape.

The Alumax 890 Continuous Hinge Steam Door is designed to be installed alone as shown in the exploded view or combined with a custom StikStall framework. It can be installed with an inline panel (091), a return panel (092), an inline and a return panel (093), or a neo-angle unit (094). A pivoting Steam Transom panel is also available. Fixed glass panel sizes should be determined by formulas shown on Alumax detail sheets.

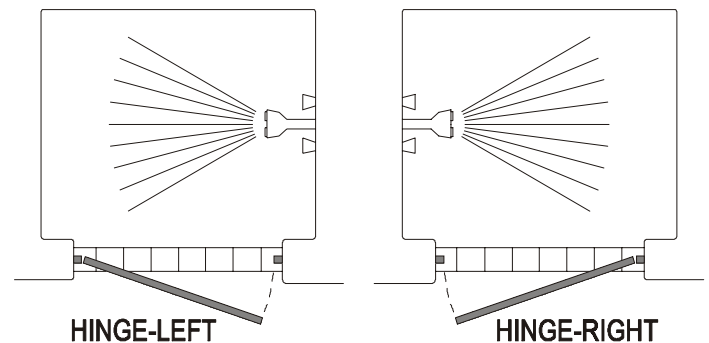
To ensure proper functioning in a custom installation, this instruction sheet (packed with a glazed or KD steam door) should be used to supplement the StikStall Installation Instruction sheet (791, 792, 793, 794) that will be packaged with the corresponding StikStall frame kit. Each step in the primary StikStall instruction sheet will indicate whether it applies to all door types or if this sheet should be used. If your StikStall Instruction Sheet does not mention the use of a supplement before Step #1, then contact your dealer for the proper instruction sheet.



# 1

The Alumax 890 Continuous Hinge Steam Door is completely reversible and may be installed hinge-left or hinge-right. For maximum waterproofing, the hinge jamb should always be opposite the shower head. Using the illustration, determine the correct position for the door in your particular installation. This instruction sheet depicts a hinge-left installation.

**CAUTION:** For safety reasons, the door panel must always open *outward*.

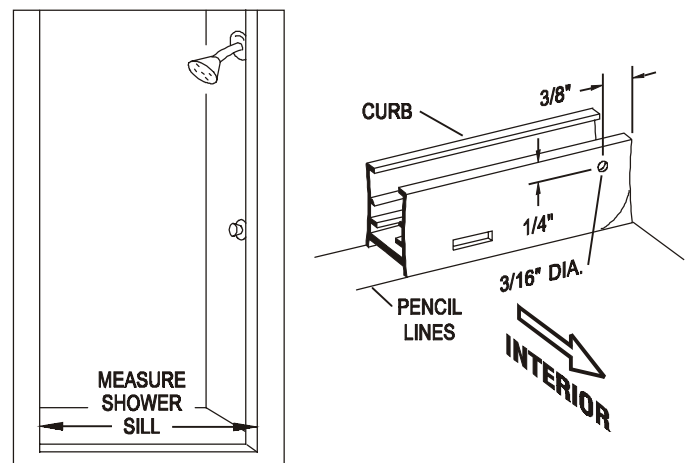


# 2

Measure the opening at the bottom of the shower stall and cut the curb [A] (with weep slots) to fit the full width of the opening. Measure the shower stall opening at the full unit height and cut the header [B] to length as well. If required, use a file to round the outside corners of the curb and header to fit the shower stall contours properly.

Using a 3/16" drill bit, drill the interior face of the curb and header on both ends as shown.

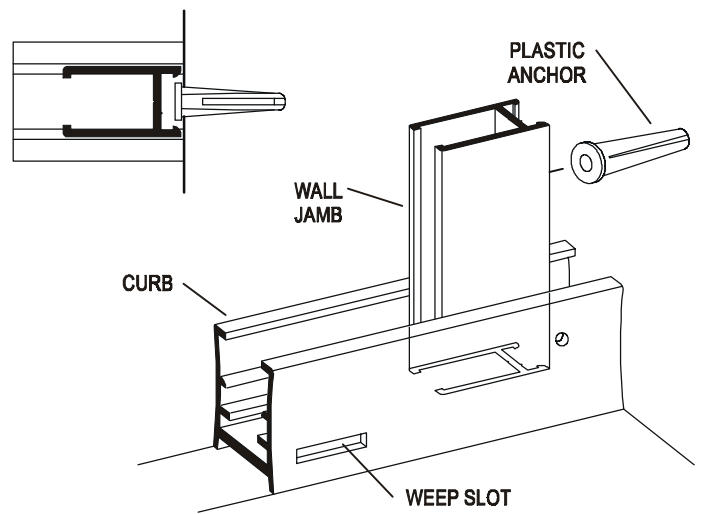
Position the curb in the middle of the sill with the weep slots to the interior and mark its position with a pencil line along the interior and exterior base.



### 3

Place the two wall jambs [C] into the ends of the curb [A]. Masking tape may be used to hold the curb in place during this operation. Plumb the jambs and mark the hole locations on the wall. Remove all parts and drill the walls for mounting hardware.

For tile or marble walls, drill six 3/16" diameter holes and insert the plastic wall anchors [D]. Attachments to fiberglass or acrylic units can be made in two ways. If a reinforcement is built into the walls of the unit, then drill six 1/8" holes to install mounting screws directly into the reinforcement. If walls are not reinforced, drill six 3/16" holes and install plastic wall anchors or toggle bolts (toggle bolts not supplied by Alumax).

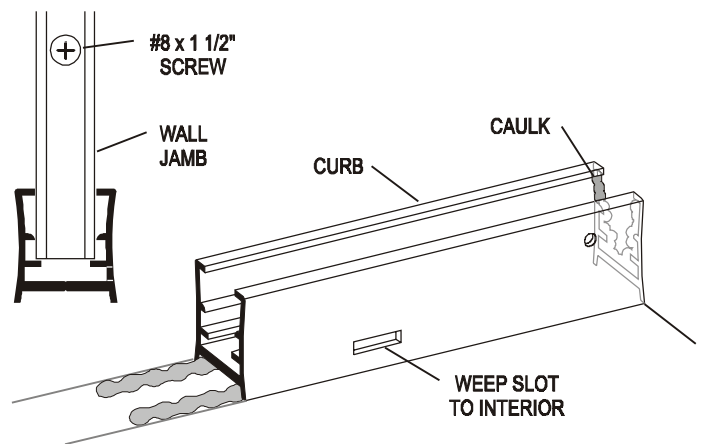


### 4

Wipe the shower walls and sill, curb [A] and wall jambs [C] with a clean, dry cloth to remove any dust or debris. Apply a 1/4" bead of caulk along the inside of both of the pencil lines marked in Step #2. Carefully replace the curb in the exact position marked. Caulk the inside of the curb ends where they meet the wall.

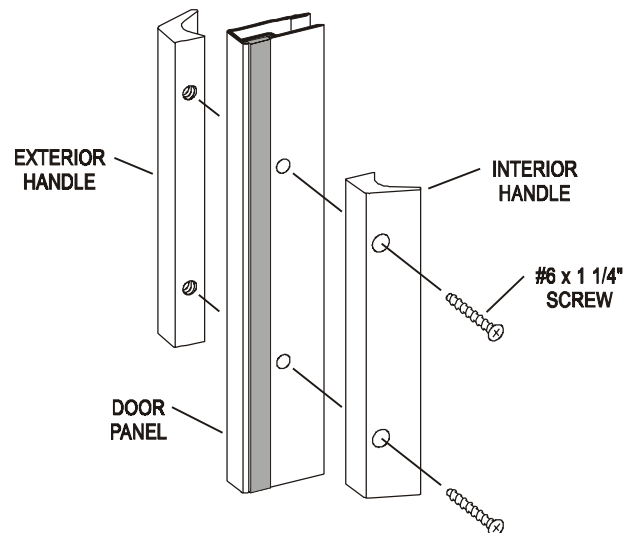
Replace both of the wall jambs and attach to the walls with six #8 x 1 1/2" truss head screws [E].

If the steam door is full height (fills the opening vertically) set the header [B] in place on top of the wall jambs before installing the attachment screws.



### 5

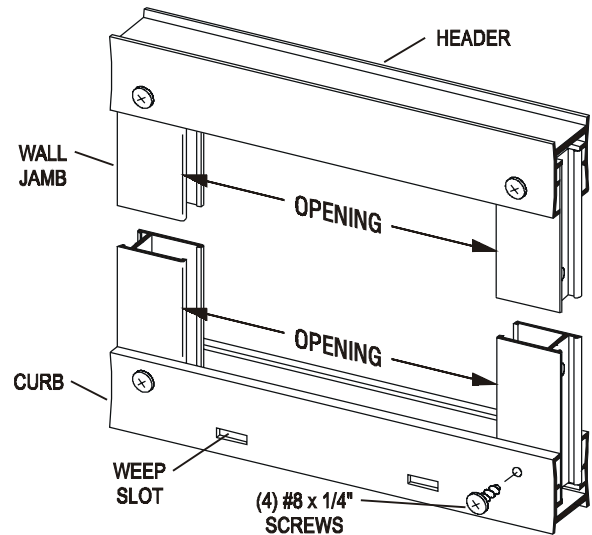
Attach the interior door handle [F] and the exterior door handle [G] to the glazed door panel assembly [J] with two #6 x 1 1/8" round head screws [H].



6

Measure the horizontal frame opening at the top and bottom. The minimum dimension for the door opening is the glazed door panel width [J] plus 1/2", maximum is the door panel width plus 1 3/4".

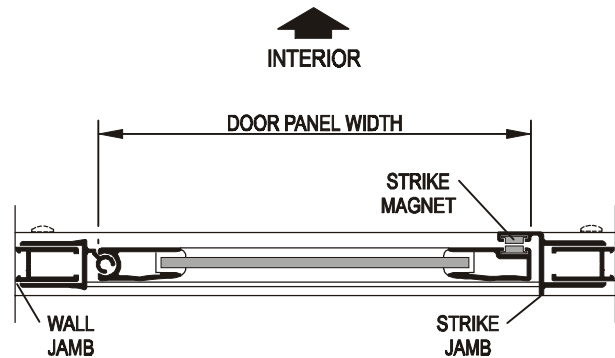
Using the holes in the ends of the curb [A] and header [B] as a guide, drill four 1/8" holes into the wall jambs [C]. Secure the header and the curb to the wall jambs with four #8 x 1/4" truss head screws [L].



7

Press the glazed door panel assembly [J] and strike jamb [M] (with magnetic strip) over the wall jambs.

NOTE: The magnetic strip on the strike jamb must face the exterior and the door panel must open outward.

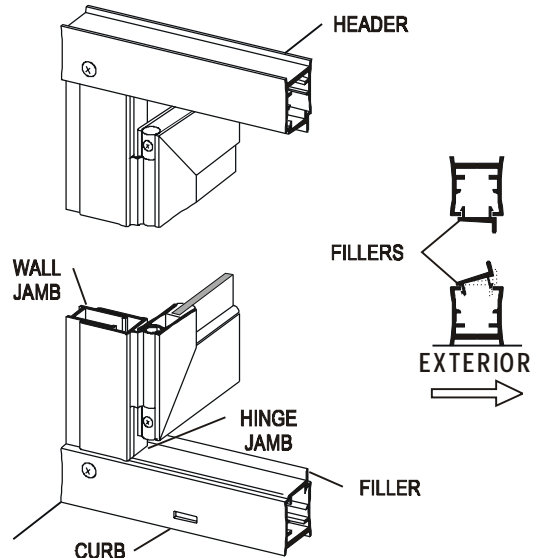


8

Snap the vinyl upper steam seal [K] into the top rail of the door panel with the sealing flap on the interior (flat) side.

Snap the fillers [N] into the curb [A] and header [B] between the door jambs with the raised lip to the exterior.

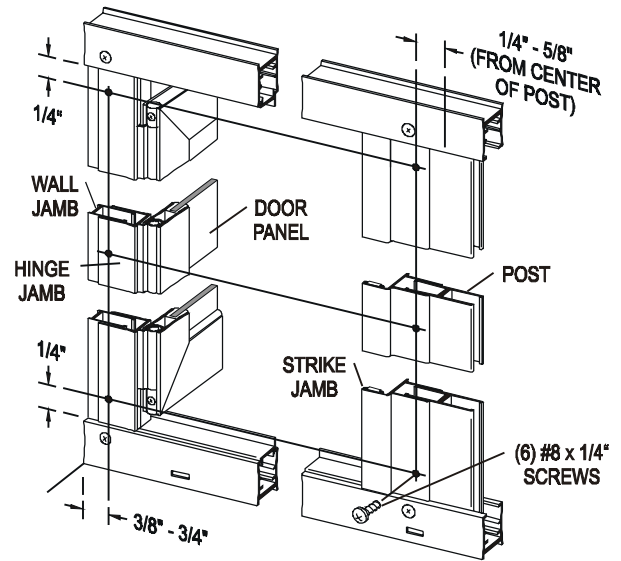
NOTE: The snap-in fillers should be exactly 3/8" longer than the door panel width.



# 9

Pull the bottom end of the hinge jamb [J] tight to the curb filler [N] and plumb the jamb. Drill two 1/8" holes thru the hinge jamb and into the wall jamb 3/8" to 3/4" from the wall and approximately 1/4" vertically from the ends of the jamb. Drill a third hole centered between the first two and enlarge the outer holes with a 3/16" drill for clearance on the self-tapping screws. Attach the door panel permanently with three #8 x 1/4" truss head screws [L].

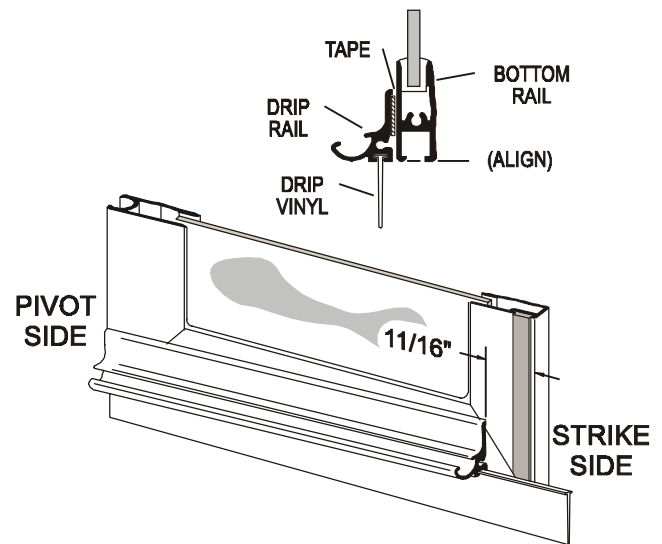
Slide the header filler [N] tight against the hinge jamb. Push the strike jamb [M] tight against the fillers top and bottom. With the door panel [J] plumb and both fillers [N] tight between the two door jambs, the strike jamb [M] also will be plumb and parallel to the door panel. Attach the strike jamb in the same manner as the hinge jamb.



# 10

Cut the drip rail [B] to the length of the bottom rail minus 11/16". Clean the bottom door rail and the drip rail thoroughly to ensure proper adhesion. Unroll the double stick tanp [U] and carefully apply it to the back of the drip rail (do not peel the tape backing yet).

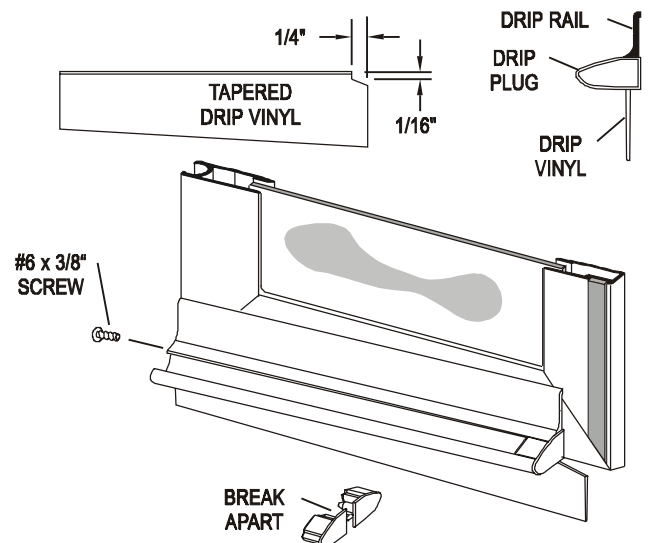
Insert the tapered drip vinyl [S] into the drip rail. Position the drip rail flush with the bottom and pivot side of the door panel [J], then raise the strike side until the bottom edge of the drip vinyl is parallel to the curb filler [N]. Mark the location of each end of the drip rail.



# 11

Adjust the drip vinyl [S] by sliding it left or right until it just touches the curb filler [N]. Trim the vinyl (flush with the pivot end and notch 1/4" longer than the drip rail as shown on the strike end). Secure it with one #6 x 3/8" truss head screw [T] in the pivot end of the drip rail.

The drip plug [R] is supplied with a left and right hand plug together. Break the right and left drip plugs apart and insert the appropriate plug into the high (strike) side of the drip rail. Discard the unused drip plug. Peel off the tape backing and carefully press the drip rail [P] to the door in the marked position.



---

---

The Care and Cleaning of your new Alumax Bath Enclosure. The simplest and preferred method of cleaning your unit is by washing it with clean water and drying with a soft cloth. If soil is still present after drying, a non-abrasive cleanser with a pH of seven to eight may be used. Comet Bathroom Cleaner<sup>®</sup> has been tested and is recommended by the Bath Enclosure Manufacturers Association (BEMA). Do not use scouring pads, sharp instruments, or acid-based cleansers to clean the unit.

Thank you for choosing an Alumax Bath Enclosure. Please take a moment to complete and return the enclosed Customer Response Card. The information you provide helps us improve the quality of our products and provide better service to you, our customer.