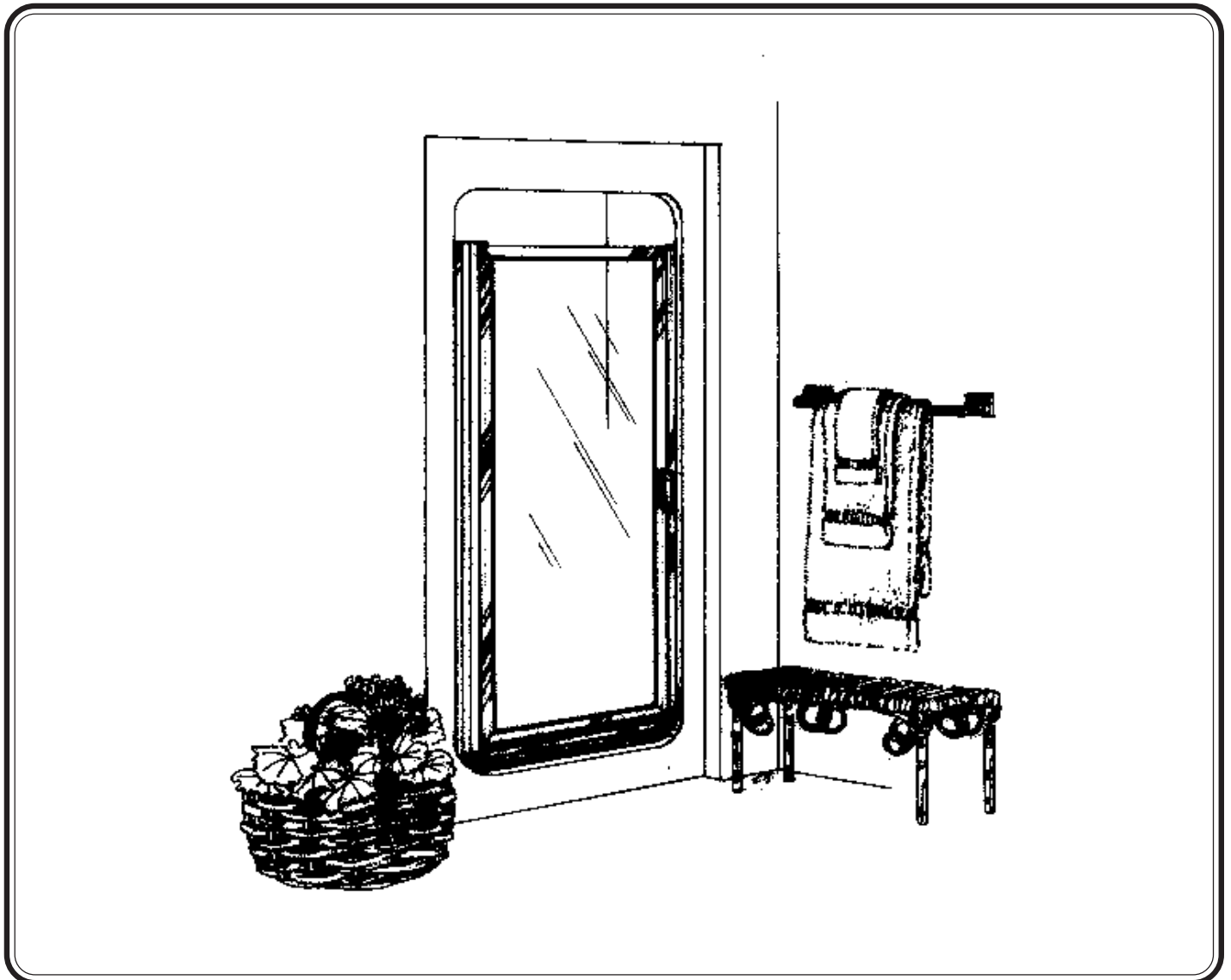


733 SERIES PIVOT SHOWER DOOR



LIMITED WARRANTY AND REMEDY

Alumax Bath Enclosures warrants to its dealers, customers, and all subsequent purchasers and users, that the products supplied by it shall be free from material defects in material and workmanship for a period of one (1) year after shipment, provided they are installed and maintained according to Alumax Bath Enclosures recommended practices and installation instructions. This warranty shall apply only to defects appearing within one (1) year from the date of shipment, and provided that Alumax Bath Enclosures is promptly notified in writing of such defects. The sole and exclusive remedy with respect to the above warranty or with respect to any other claim relating to defects or any other condition or use of the products supplied by Alumax Bath Enclosures, however caused, and whether such claim is based upon warranty contract, negligence, strict liability, or any other theory, is limited to repair or supply of such products, or repayment by Alumax Bath Enclosures of the purchase price paid for it, at Alumax Bath Enclosures option.

Alumax Bath Enclosures does not make any other representations or warranties, express or implied, including, but not limited to, any implied warranty of merchantability and any implied warranty of fitness for a particular purpose. In no event shall Alumax Bath Enclosures be liable for special, direct, indirect, or consequential damages, including, but not limited to, loss or use of profits.

Dealers agree to pass on to its customers and users in writing Alumax Bath Enclosure's Warranty and Remedy as set forth above.

Laws and building and safety codes governing the design and use of bath enclosures vary widely. Alumax Bath Enclosures does not control the selection of product configurations, operating hardware or glazing materials, and assumes no responsibility therefor.

INSTALLATION NOTES

Unpack your unit carefully and inspect for freight damage. Lay out and identify all parts using the instruction sheets as a reference. Before discarding the carton, check for small hardware bags that tend to fall to the bottom of the box. If any parts are damaged or missing, refer to the descriptions noted in the instructions when contacting your dealer for replacements.

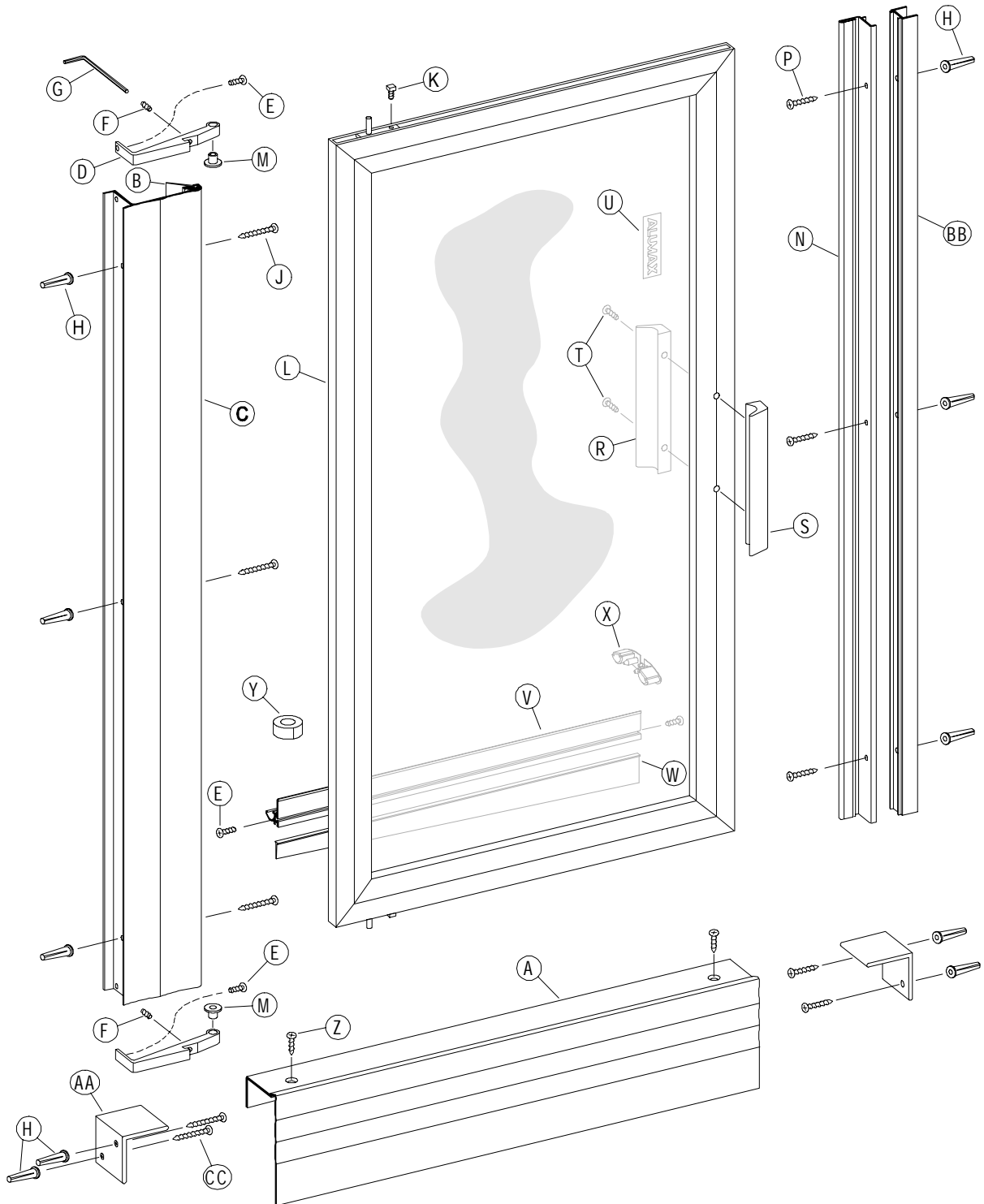
Handle glazed panels carefully. Tempered glass is difficult to break, but the sharp corners of the panels can damage tile and floor coverings.

Please wear safety glasses whenever drilling or cutting.

To install your ALUMAX Shower Door you will need the following: tape measure, level, hacksaw, drill, 1/8" and 7/32" drill bits, #2 Phillips screwdriver, 3/16" wrench, sharp knife, and caulking (clear silicone recommended). Optional tools include a center punch, files, a miter box for cutting parts to length and masking tape for holding parts in place temporarily.

733 PARTS LIST

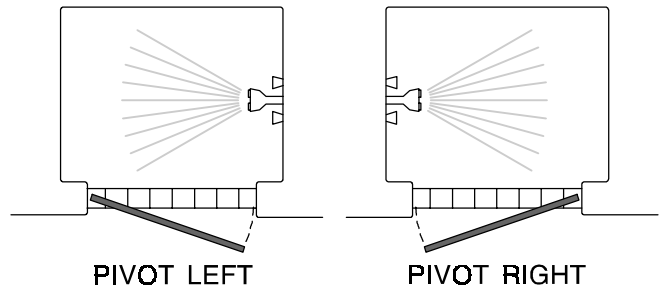
- | | | | | | |
|----|-------------------------------|----|-----------------------------------|-----|---------------------------------|
| A. | 1 Curb | K. | 2 #10 x 7/16" Sq. Head Set Screws | V. | 1 Drip Rail |
| B. | 1 Jamb Wiper Vinyl | L. | 1 Glazed Door Panel | W. | 1 Tapered Drip Vinyl |
| C. | 1 Pivot Jamb | M. | 2 Nylon Pivot Bushings | X. | 1 Drip Plug |
| D. | 2 Pivot Brackets | N. | 1 Strike Jamb (Magnetic) | Y. | 1 Roll of Double Stick Tape |
| E. | 3 #6 x 3/8" Truss Head Screws | P. | 3 #8 x 1 1/2" Flat Head Screws | Z. | 2 #10 x 3/8" Flat Head Screws |
| F. | 2 #8 x 1/8" Allen Set Screws | R. | 1 Interior Door Handle | AA. | 2 Curb Anchors |
| G. | 1 Allen Wrench (5/64") | S. | 1 Exterior Door Handle | BB. | 1 Jamb Fill |
| H. | 10 Plastic Wall Anchors | T. | 2 #6 x 1 1/4" Round Head Screws | CC. | 4 #8 x 1 1/2" Truss Head Screws |
| J. | 3 #8 x 2" Truss Head Screws | U. | 1 ALUMAX Decal | | |



1

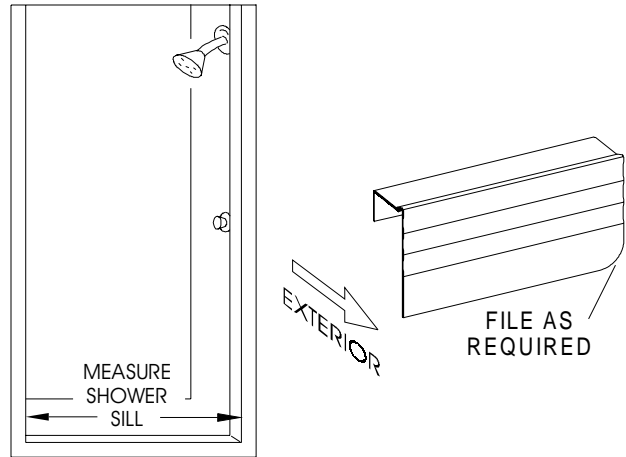
The ALUMAX 733 Pivot Shower Door is completely reversible and may be installed pivot-right or pivot-left. Using the diagram, determine the correct position for your installation. For maximum waterproofing, the pivot jamb should always be opposite the shower head. These instructions depict a pivot-left installation.

CAUTION: For safety, the door must *always* open outward.



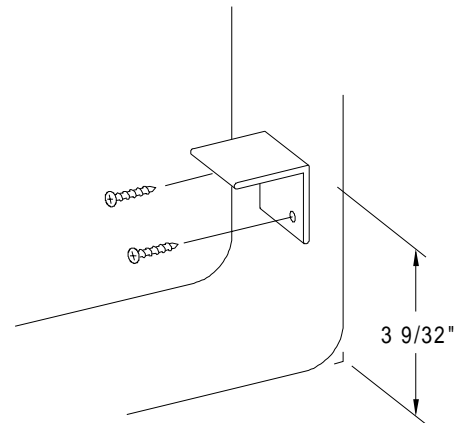
2

Measure the wall to wall opening at the shower sill and cut the curb to the exact length. File the ends of curb as necessary to fit the corner contours of the enclosure. Temporarily place the curb [A] on the shower sill with the raised portion to the exterior of the enclosure. Make sure the filed radius matches that of the shower sill. Remove the curb from the sill.



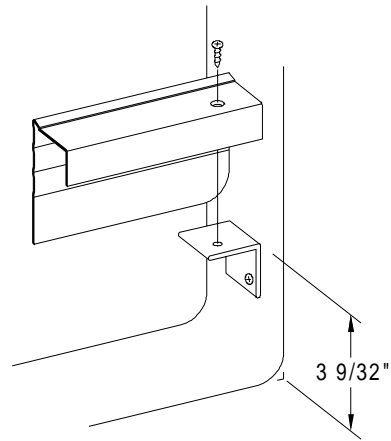
3

Place one curb anchor [AA] against the wall as shown in the diagram. The top of the curb anchor should be $3 \frac{9}{32}$ " above the center of the shower curb. Mark the hole locations and remove the curb anchor. With the remaining curb anchor, follow the same procedure on the opposite wall, and proceed to drill holes. For fiberglass units with reinforcement, use a $\frac{1}{8}$ " drill bit. If there is no reinforcement, you should use a $\frac{7}{32}$ " drill bit and insert a plastic wall anchor [H] in each hole. Replace the curb anchors and attach with four #8 x $1 \frac{1}{2}$ " truss head screws [CC].



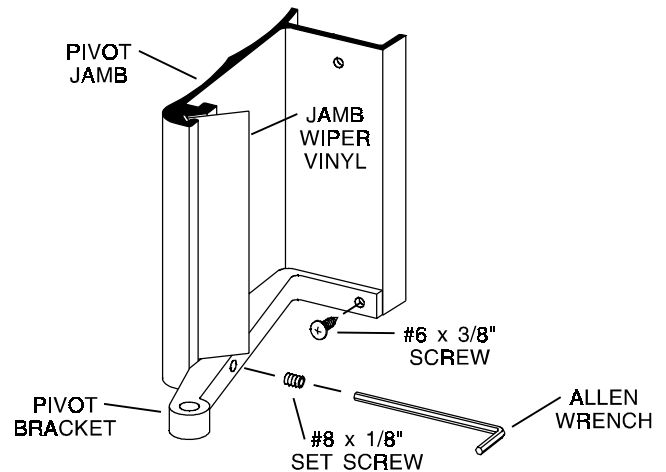
4

Position the curb [A] so that each end is centered over a curb anchor [AA], and the long leg is to the outside. Mark the hole locations on both curb anchors and remove the curb. Using a 5/32" drill bit, drill holes and countersink as marked on the curb anchors. Replace the curb over the curb anchors and attach using two #10 x 3/8" flat head screws [Z].



5

Slide the jamb wiper vinyl [B] into the pivot jamb [C]. A small amount of soap or graphite lubrication will help installation. Cut the jamb wiper vinyl 7/8" shorter than the pivot jamb to allow room for the pivot brackets [D]. Fit one of the pivot brackets into the bottom of the pivot jamb. Lock it in place with a #6 x 3/8" truss head screw [E] and a #8-32 x 1/8" set screw [F] (a 5/64" Allen wrench [G] is provided).

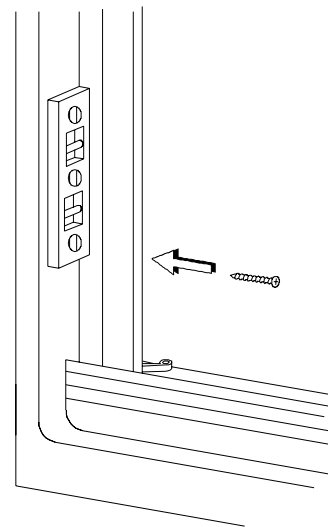


6

Place the pivot jamb [C] on the curb [A] with the exterior face lined up with the raised edge of the curb. Use a level to plumb the jamb then mark the mounting hole locations. Remove the jamb and drill the mounting holes.

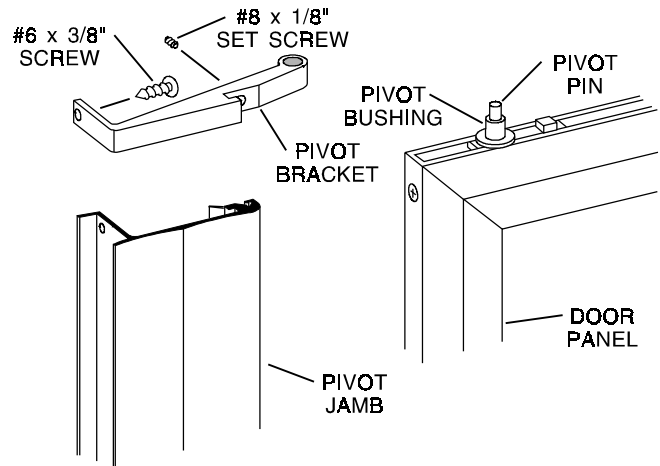
For tile or marble walls, drill three 7/32" diameter holes and insert the plastic wall anchors [H]. A center punch helps locate the holes accurately. Attachments to fiberglass or acrylic units can be made in two ways. If a reinforcement is built into the wall of the unit, drill three 1/8" diameter holes to install mounting screws directly into the reinforcement. If walls are not reinforced, drill 7/32" holes and install plastic wall anchors or Molly bolts (Molly bolts not supplied by ALUMAX).

Replace the pivot jamb and attach to the wall with three #8 x 2" truss head screws [J].



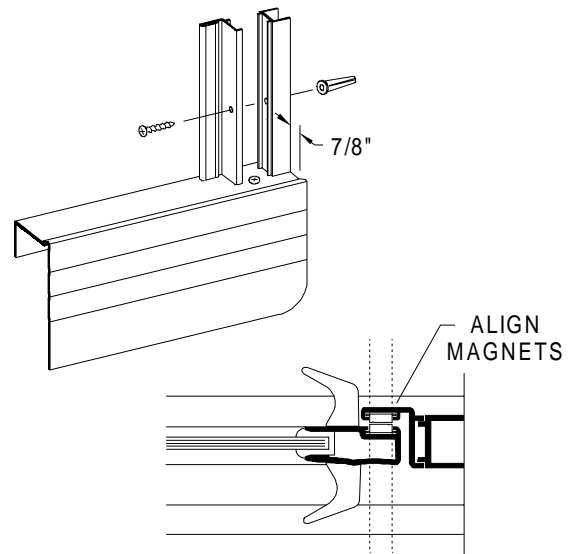
7

Insert a nylon pivot bushing [M] into the bottom pivot bracket [D]. Slip the second pivot bushing over the top pivot pin on the door panel. Position the door by inserting the bottom pivot pin into the bottom pivot bracket. Hold the door vertical and slide the top pivot bracket into the pivot jamb [C] and over the top pivot pin and pivot bushing. Secure the top pivot bracket with a #6 x 3/8" truss head screw [E] and a #8-32 x 1/8" Allen set screw [F].



8

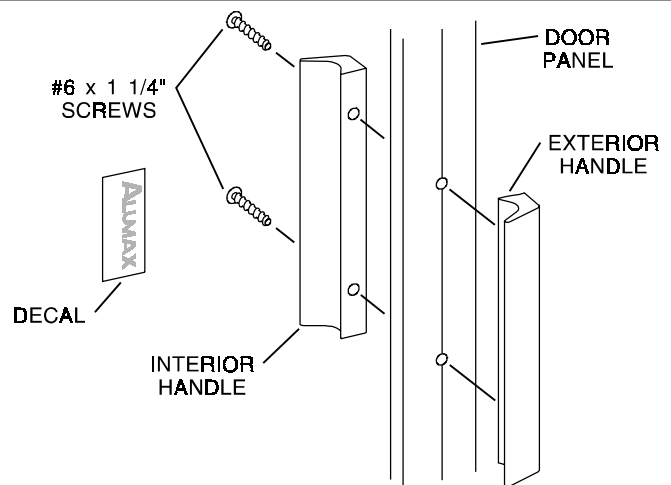
Place the jamb fill [BB] on top of the curb [A] and against the wall opposite the pivot jamb [C]. The jamb fill should be positioned 7/8" from the outside edge of the curb. Mark the bottom hole location and remove the jamb fill. As with the pivot jamb, use a 1/8" or 7/32" drill bit, inserting a plastic anchor if needed. Replace the jamb fill and attach the strike jamb [N] (with the magnetic strip facing toward the exterior) with one #8 x 1 1/2" flat head screw [P] through the bottom hole. Do not tighten the screw completely. Rotate the door into the closed position so that the magnetic strips are attached at both the top and bottom, and the jamb fill and the strike jamb are plumb. Holding the jamb fill in this position, open the door and mark the last two hole locations. Drill the remaining two holes and insert wall anchors where needed. Fasten the strike jamb to the jamb fill and wall using the remaining two #8 x 1 1/2" flat head screws [P]. Close the door and check the clearance with the strike jamb. If necessary, loosen the set screws [K] and adjust the door to align the magnets.



9

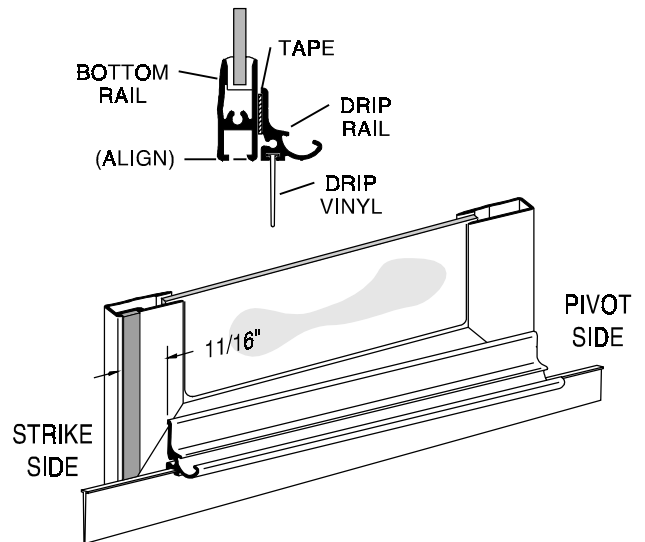
Attach the interior door handle [R] and the exterior door handle [S] to the door with two #6-32 x 1 1/4" round head screws [T].

Peel the backing from the ALUMAX decal [U] and apply it to the inside handle.



10

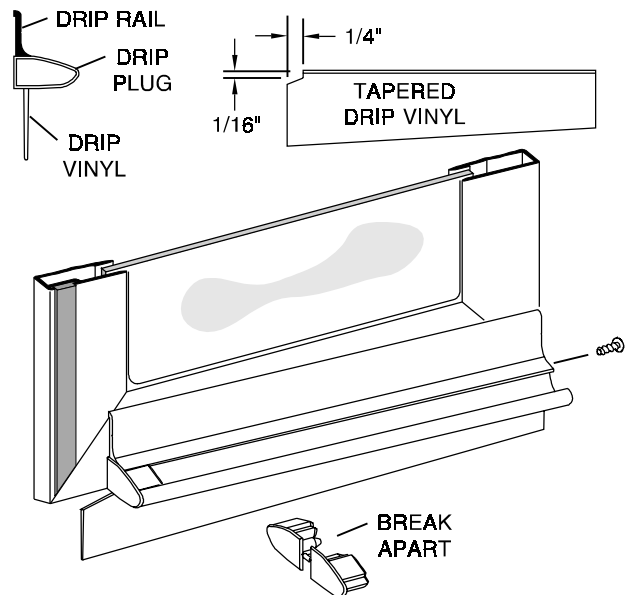
Cut the drip rail [V] to the length of the bottom rail minus $11/16"$. Clean the bottom door rail and the drip rail thoroughly to ensure proper adhesion. Unroll the double stick tape [Y] and carefully apply it to the back of the drip rail (do not peel the tape backing yet). Insert the tapered drip vinyl [W] into the drip rail. Position the drip rail flush with the bottom and pivot side of the door panel [L], then raise the strike side until the bottom edge of the drip vinyl is parallel to the curb [A]. Mark the location of each end of the drip rail.



11

Adjust the drip vinyl [W] by sliding it left or right until it just touches the curb. Trim the vinyl (flush with the pivot end and notch $1/4"$ longer than the drip rail as shown on the strike end). Secure it with one #6 x $3/8"$ truss head screw [E] in the pivot end of the drip rail.

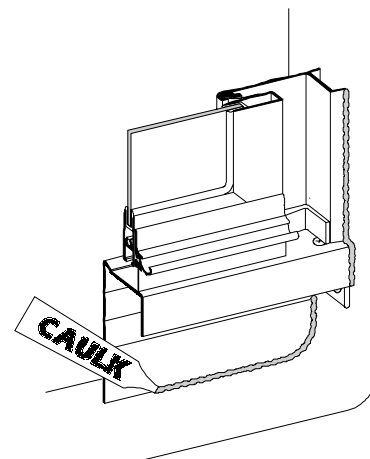
The drip plug [X] is supplied with a left and right hand plug together. Break the right and left drip plug apart and insert the appropriate plug into the high (strike) side of the drip rail. Discard the unused drip plug. Peel off the tape backing and carefully press the drip rail to the door in the marked position.



12

Neatly caulk the inside perimeter of the shower curb and wall jambs.

NOTE: The caulking should be allowed to cure for twenty-four hours before using your new shower enclosure.



The Care and Cleaning of your new Alumax Bath Enclosure. The simplest and preferred method of cleaning your unit is by washing it with clean water and drying with a soft cloth. If soil is still present after drying, a non-abrasive cleanser with a pH of seven to eight may be used. Comet Bathroom Cleaner® has been tested and is recommended by the Bath Enclosure Manufacturers Association (BEMA). Do not use scouring pads, sharp instruments, or acid-based cleansers to clean the unit.

Thank you for choosing an Alumax Bath Enclosure. Please take a moment to complete and return the enclosed Customer Response Card. The information you provide helps us improve the quality of our products and provide better service to you, our customer.