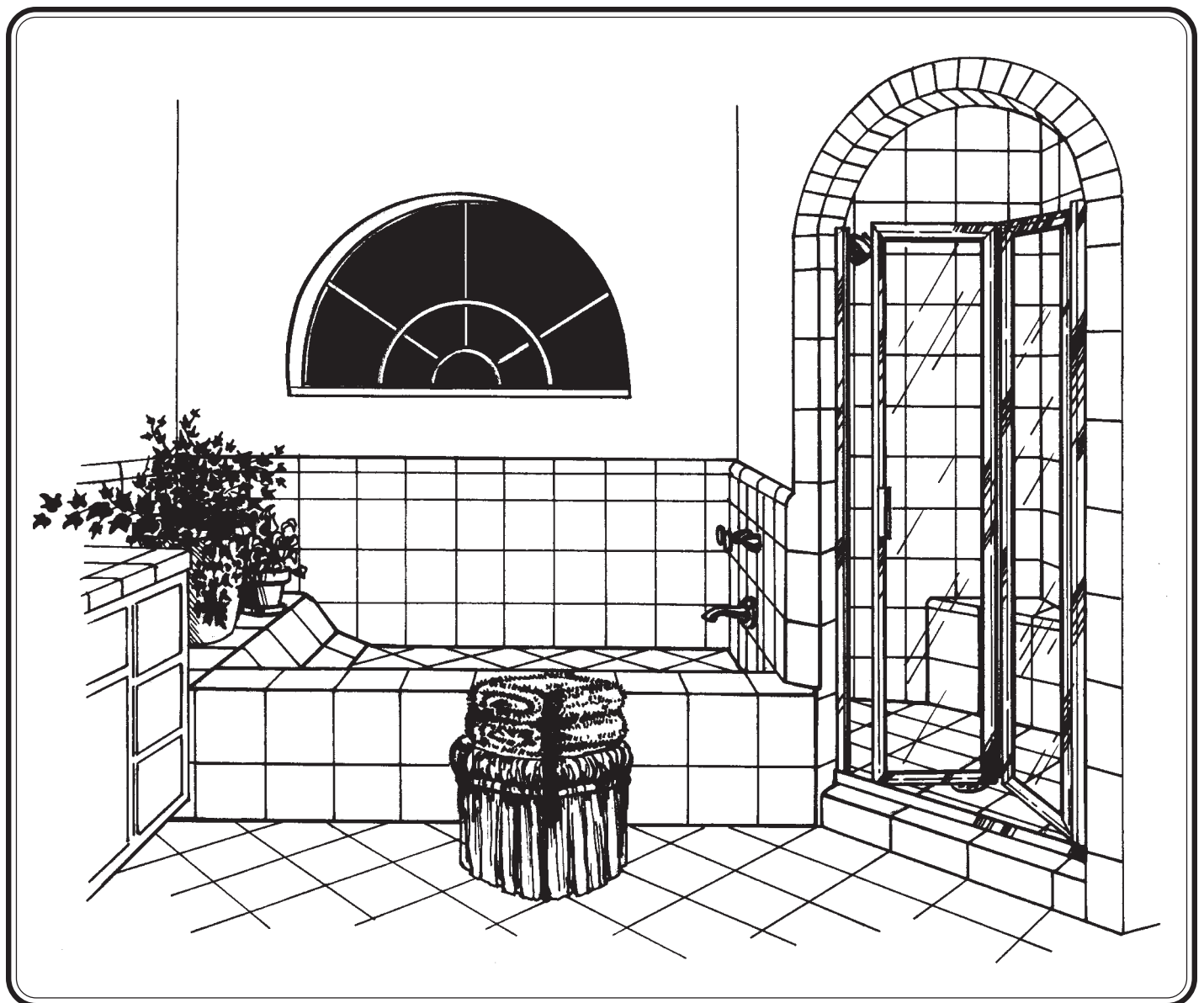




**ALUMAX**  
**BATH ENCLOSURES**  
PO Box 40, Magnolia, AR 71753 (501) 234-4260

INSTALLATION  
INSTRUCTIONS

# 710i SERIES BI-FOLD INTRE-HINGE SHOWER DOOR



## LIMITED WARRANTY AND REMEDY

Alumax Bath Enclosures warrants to its dealers, customers, and all subsequent purchasers and users, that the products supplied by it shall be free from material defects in material and workmanship for a period of one (1) year after shipment, provided they are installed and maintained according to Alumax Bath Enclosures' recommended practices and installation instructions. This warranty shall apply only to defects appearing within one (1) year from the date of shipment, and provided that Alumax Bath Enclosures is promptly notified in writing of such defects. The sole and exclusive remedy with respect to the above warranty or with respect to any other claim relating to defects or any other condition or use of the products supplied by Alumax Bath Enclosures, however caused, and whether such claim is based upon warranty contract, negligence, strict liability, or any other theory, is limited to repair or supply of such products, or repayment by Alumax Bath Enclosures of the purchase price paid for it, at Alumax Bath Enclosures' option.

*Alumax Bath Enclosures does not make any other representations or warranties, express or implied, including, but not limited to, any implied warranty of merchantability and any implied warranty of fitness for a particular purpose. In no event shall Alumax Bath Enclosures be liable for special, direct, indirect, or consequential damages, including, but not limited to, loss or use of profits.*

Dealers agree to pass on to its customers and users in writing Alumax Bath Enclosures' Warranty and Remedy as set forth above.

Laws and building and safety codes governing the design and use of bath enclosures vary widely. Alumax Bath Enclosures does not control the selection of product configurations, operating hardware or glazing materials, and assumes no responsibility therefor.

## INSTALLATION NOTES

Unpack your unit carefully and inspect for freight damage. Lay out and identify all parts using the instruction sheets as a reference. Before discarding the carton, check for small hardware bags that tend to fall to the bottom of the box. If any parts are damaged or missing, refer to the descriptions noted in the instructions when contacting your dealer for replacements.

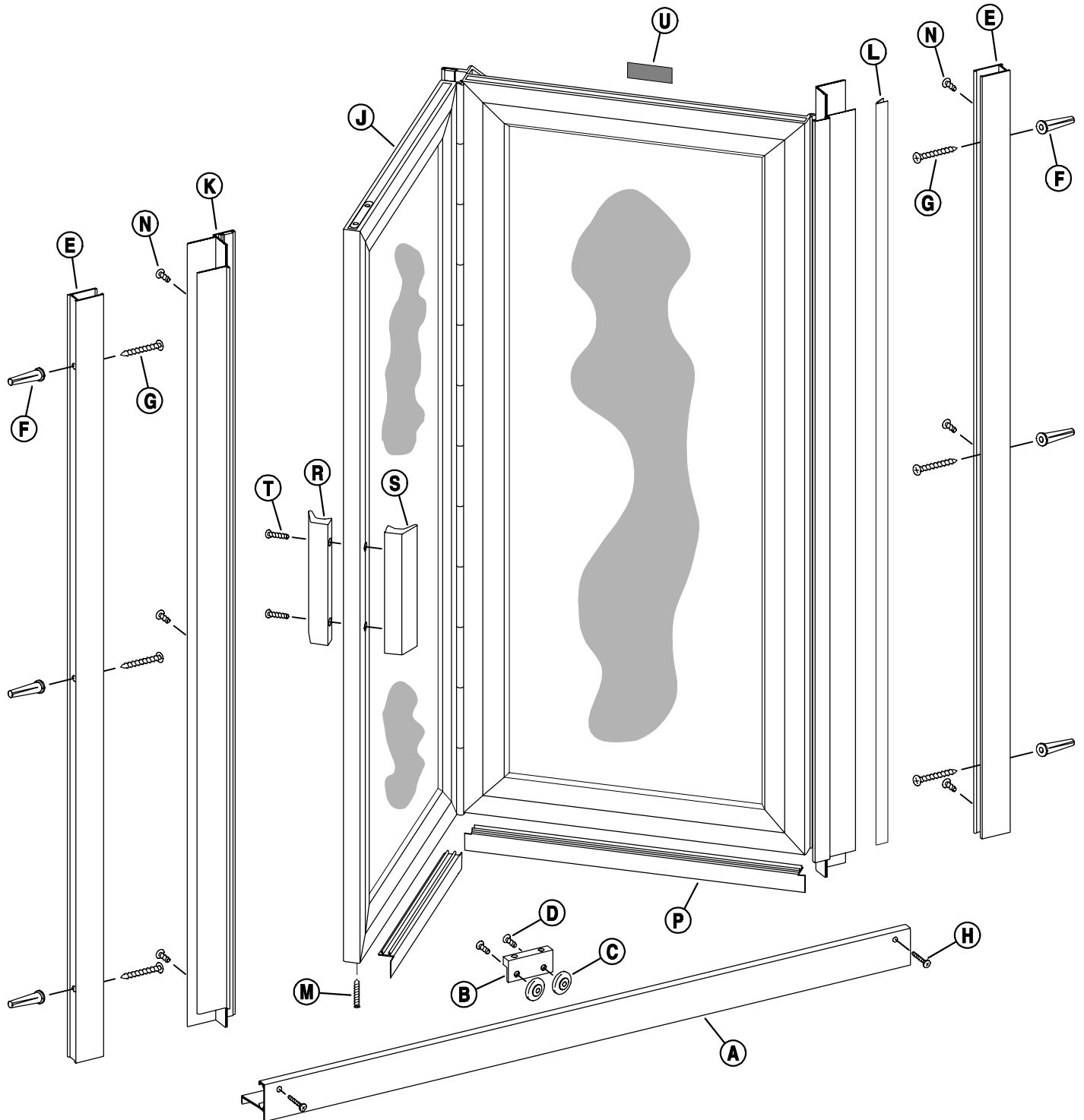
Handle glazed panels carefully. Tempered glass is difficult to break, but the sharp corners of the panels can damage tile and floor coverings.

Please wear safety glasses whenever drilling or cutting.

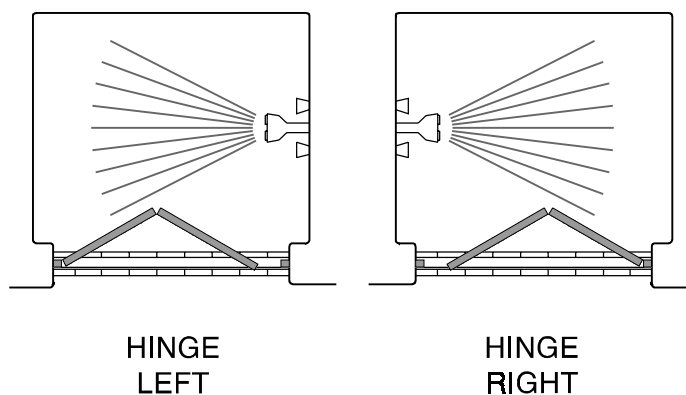
To install your Alumax Shower Door you will need the following: tape measure, level, hacksaw, drill, 1/8", 7/64", and 3/16" drill bits, #2 Phillips screwdriver, sharp knife or razor and caulking (clear silicone recommended). Optional tools include a center punch, files, a miter box for cutting parts to length and masking tape for holding parts in place temporarily.

## 710i BI-FOLD PARTS LIST

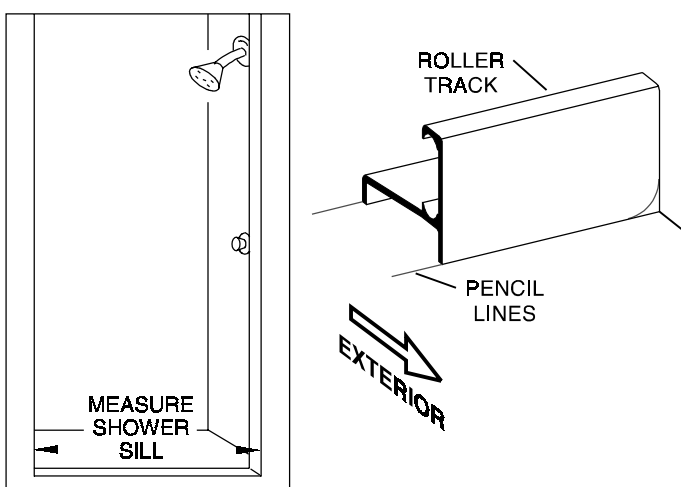
- |                                    |                                       |
|------------------------------------|---------------------------------------|
| A. 1 Roller Track                  | L. 1 Clear Vinyl Jamb Seal            |
| B. 1 Roller Bracket                | M. 1 Headless Pivot Pin Screw         |
| C. 2 Nylon Roller Bearings         | N. 6 #8 x 3/8" Truss Head Screws      |
| D. 2 #8 x 3/8" Hex Head Screws     | P. 1 Clear Vinyl Deflector (36")      |
| E. 2 Wall Jamb                     | R. 1 Interior Handle                  |
| F. 6 Plastic Wall Anchors          | S. 1 Exterior Handle                  |
| G. 6 #8 x 1 1/2" Truss Head Screws | T. 2 #6-32 x 1 1/4" Round Head Screws |
| H. 2 #5 x 1/2" Truss Head Screws   | U. Alumax Decal                       |
| J. 1 Glazed Bi-Fold Panel Assembly |                                       |
| K. 1 Strike Jamb                   |                                       |



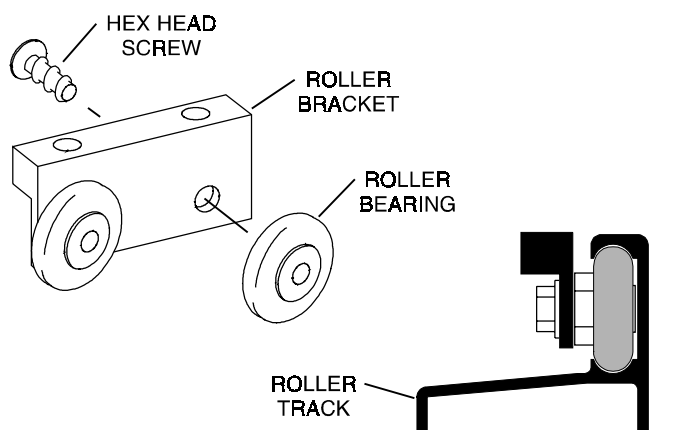
**1** The ALUMAX 710i Bi-fold Shower Door is completely reversible and may be installed hinge-right or hinge-left. Using the diagram, determine the correct position for your installation. For maximum waterproofing, the hinge jamb should always be opposite the shower head. These instructions depict a hinge-right installation.



**2** Measure the wall to wall opening at the shower sill and cut the roller track **[A]** to the exact length. File the ends of the track as necessary to fit the corner contours of the enclosure. Place the track on the shower sill with the raised portion to the exterior of the enclosure. Make sure the track is centered on the sill and lightly mark its position on the sill with a pencil. Remove the track from the sill.

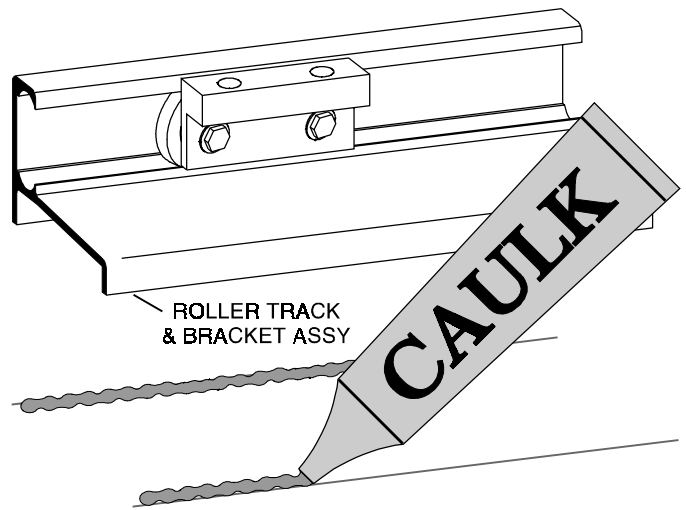


**3** Assemble the roller bracket **[B]**, two nylon roller bearings **[C]** and two #8 x 3/8" hex head screws **[D]** as shown. Do not overtighten the screws. Insert the assembled roller bracket into the roller track **[A]**.



**4** Run two beads of caulk inside the penciled marks on the shower sill. Place the roller track [A] (with roller bracket) in the exact position marked in Step #2 and seat it firmly in the caulking.

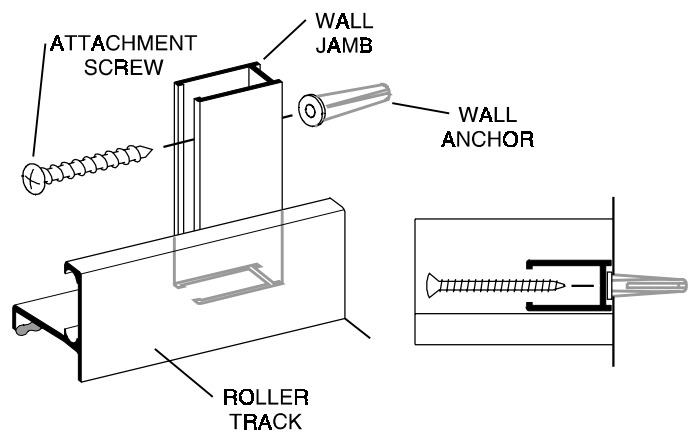
NOTE: Improper caulking will result in leaks.



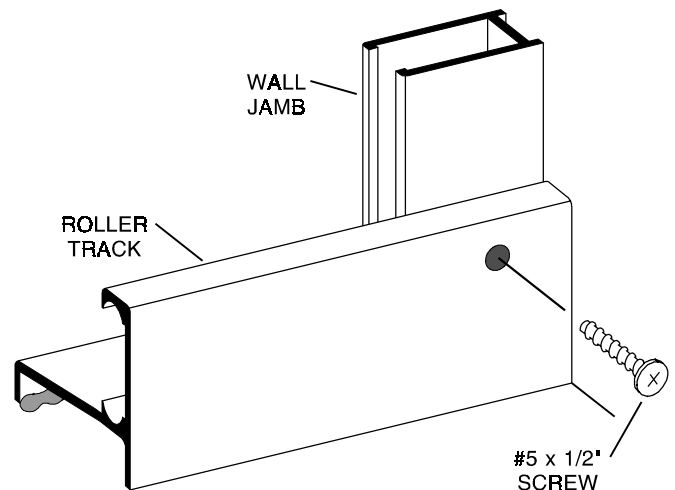
**5** Place one of the wall jambs [E] against the wall with the bottom end flush against the roller track [A]. Plumb the jamb and mark the hole locations on the wall. Repeat for the other wall jamb. Remove all parts and drill the walls for mounting hardware.

For tile or marble walls, drill six 3/16" diameter holes and insert the plastic wall anchors [F]. Attachments to fiberglass or acrylic units can be made in two ways. If any reinforcement is built into the wall of unit, drill six 1/8" holes to install mounting screws directly into the reinforcement. If walls are not reinforced, drill 3/16" holes and install plastic wall anchors or toggle bolts (toggle bolts not supplied by Alumax).

Replace both wall jambs and secure them with six #8 x 1 1/2" truss head screws [G].

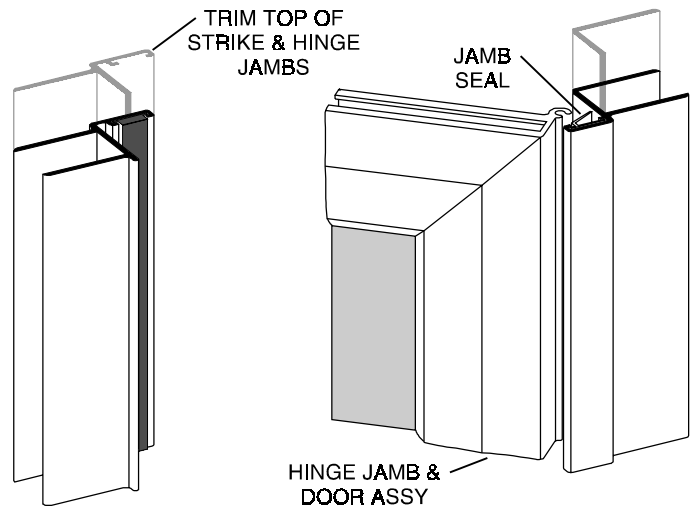


**6** Drill two 7/64" diameter holes through the roller track [A] and into the wall jambs. Secure the roller track to the wall jambs with two #5 x 1/2" screws [H].

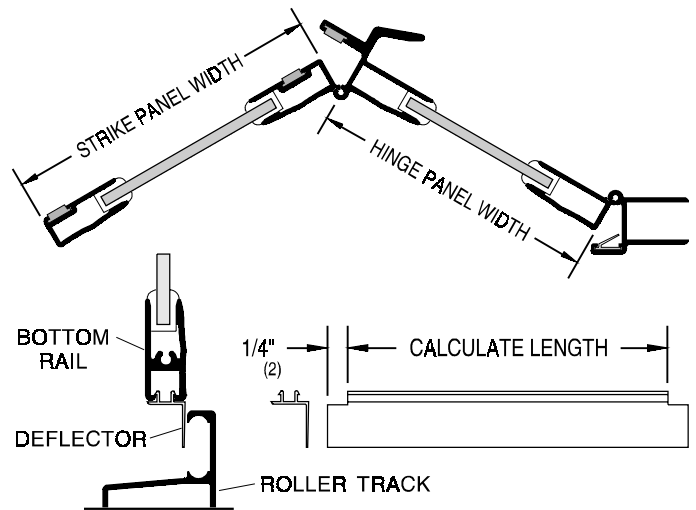


**7** Trim the top of the hinge jamb (with the door panel assembly [J]) even with the machined notch. Repeat for the strike jamb [K] (with magnetic vinyl).

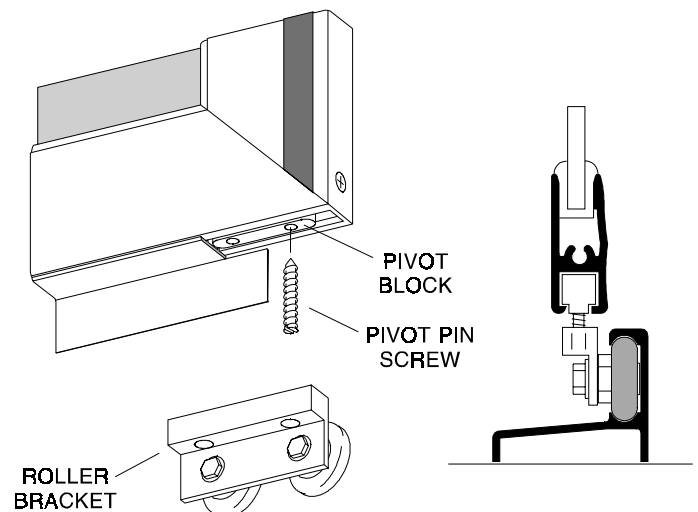
Slide the clear vinyl jamb seal [L] into the slot in the hinge jamb panel assembly as shown. Trim the jamb seal even with the end of the jamb. The jamb seal can be secured with a small amount of clear glue or caulk or by carefully crimping the slot ends.



**8** Measure the bottom rails of the strike and hinge door panels to determine the panel widths. Cut one section of the clear vinyl splash deflector [P] 2" shorter than the width of the strike panel. Trim the second section 3/8" longer than the hinge panel. Notch both ends of both deflectors as shown, leaving only the thin vertical portion extending. Snap the deflectors into the bottom rail of their respective door panels.

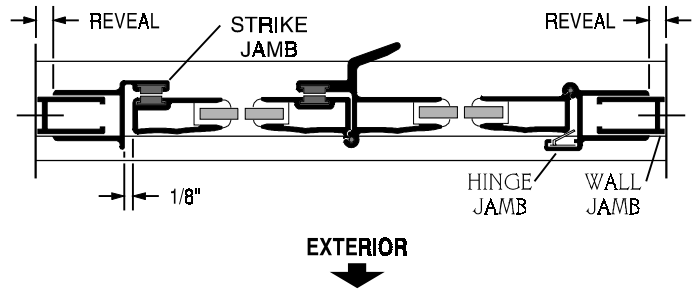


**9** Slide the pivot block located in the bottom rail of the strike door panel as close to the leading edge of the panel as it can go. Install the headless pivot pin screw [M] into the pivot block and tighten securely. Do not overtighten or deform the head of the pivot pin screw. Set the door panel assembly into place with the hinge jamb overlapping the wall jamb [E] and the pivot screw engaging the roller bracket [B].



# 10

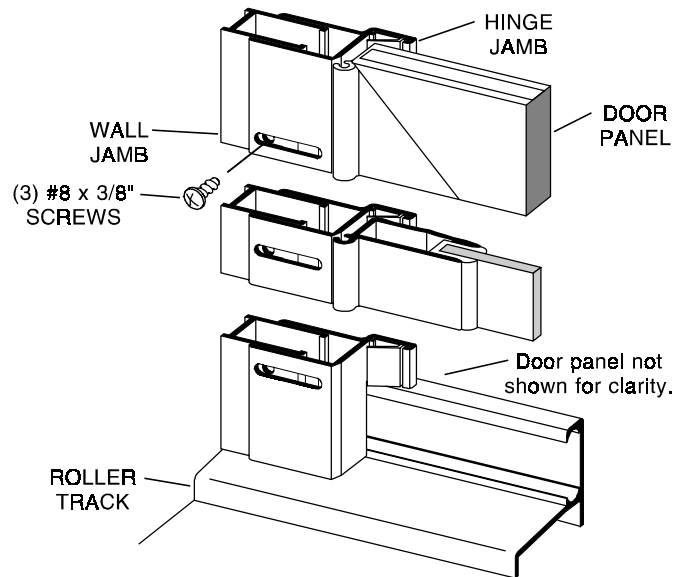
Install the strike jamb [K] onto the other wall jamb [E] with the magnet facing outward. With the door closed and the latch magnets engaged, the proper door panel to strike jamb clearance is 1/8" (see illustration). Slide the strike jamb and door panel assembly laterally until there is equal engagement of the wall jambs.



# 11

Inside the shower enclosure, align the slots on the hinge jamb with the holes in the wall jamb [E]. Start a #8 x 3/8" truss head screw [N] in the bottom slot and hole but do not tighten it completely. Pull the top of the hinge jamb outward until there is 1/8" clearance between the roller track and the bottom of the strike door panel. Hold the hinge jamb in this position while installing a second #8 x 3/8" screw in the top slot and hole. Install a third screw in the center slot and hole.

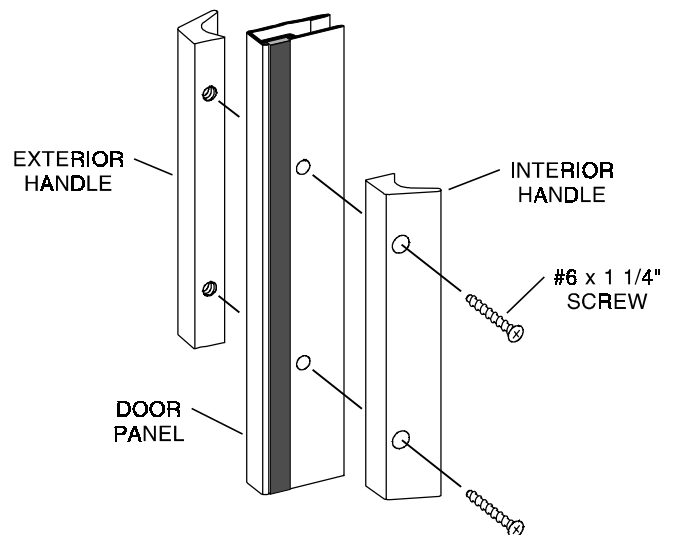
Check the strike jamb [K] to door panel alignment (see Step #9). Attach the strike jamb permanently to the wall jamb with three #8 x 3/8" truss head screws [N].



# 12

Attach the interior door handle [R] and the exterior door handle [S] to the strike door panel with two #6-32 x 1 1/4" round head screws [T].

Peel the backing from the Alumax decal [U] and apply it to the top inside door rail.



---

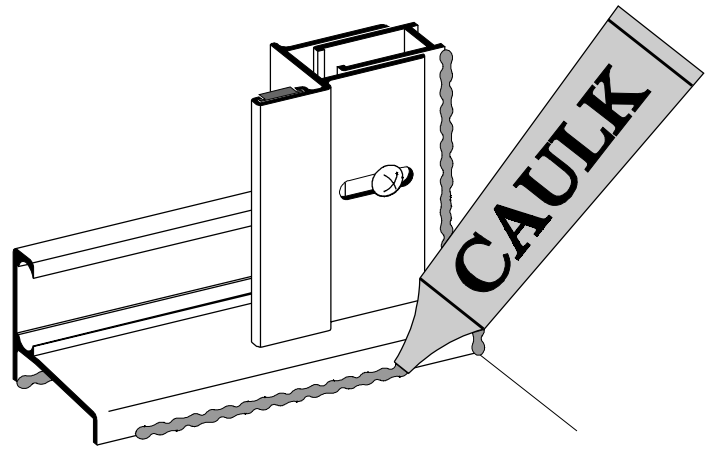
---

# 13

Neatly caulk the inside perimeter of the roller track and wall jambs.

NOTE: Improper caulking will result in leaks.

NOTE: The caulking should be allowed to cure for twenty-four hours before using your new shower enclosure.



---

---

The Care and Cleaning of your new Alumax Bath Enclosure. The simplest and preferred method of cleaning your unit is by washing it with clean water and drying with a soft cloth. If soil is still present after drying, a non-abrasive cleanser with a pH of seven to eight may be used. Comet Bathroom Cleaner<sup>®</sup> has been tested and is recommended by the Bath Enclosure Manufacturers Association (BEMA). Do not use scouring pads, sharp instruments, or acid-based cleansers to clean the unit.

Thank you for choosing an Alumax Bath Enclosure. Please take a moment to complete and return the enclosed Customer Response Card. The information you provide helps us improve the quality of our products and provide better service to you, our customer.