

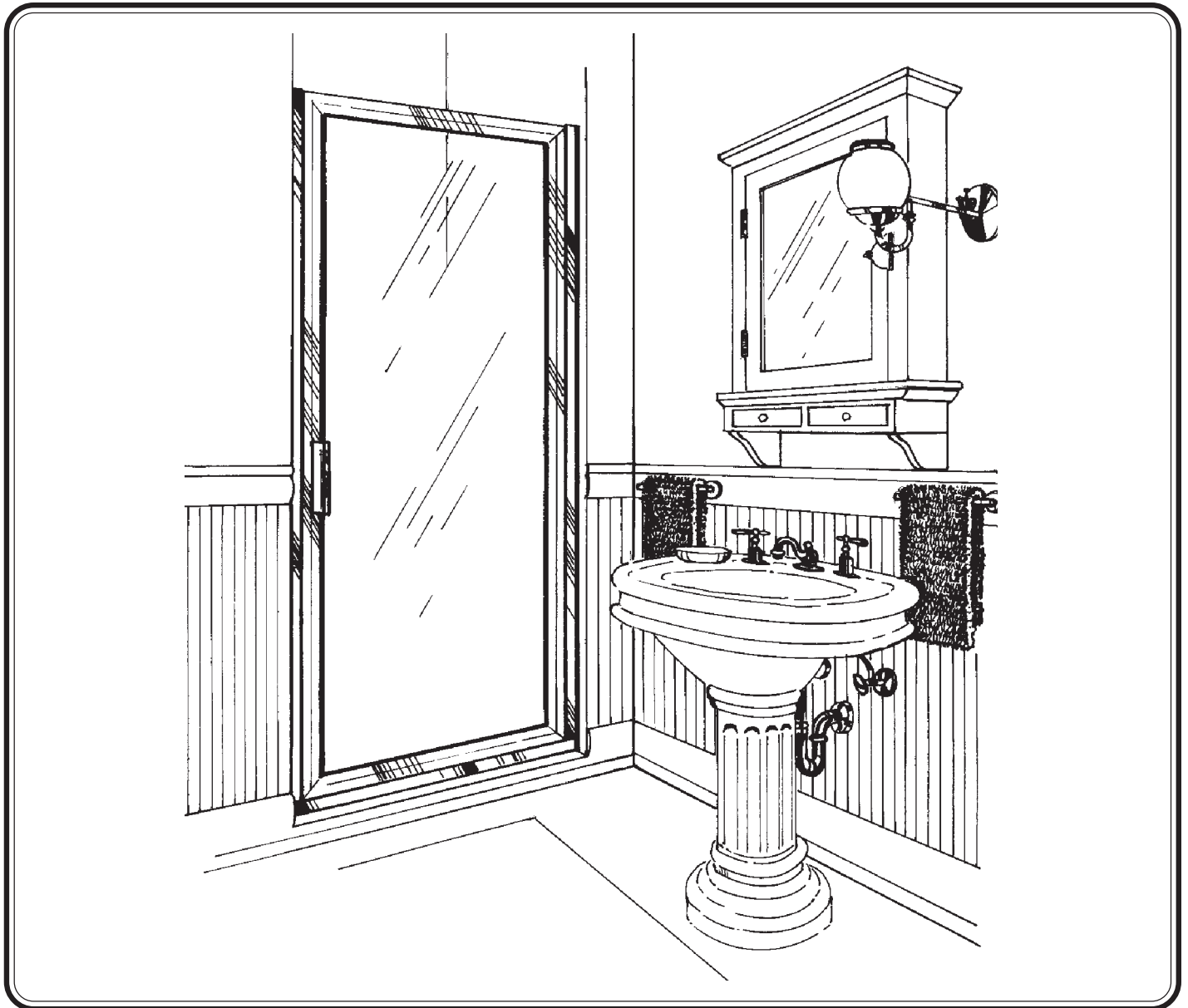


ALUMAX
BATH ENCLOSURES

PO Box 40, Magnolia, AR 71753 (501) 234-4260

INSTALLATION
INSTRUCTIONS

700i SERIES INTRE-HINGE SHOWER DOOR



LIMITED WARRANTY AND REMEDY

ALUMAX BATH ENCLOSURES warrants to its dealers, customers, and all subsequent purchasers and users, that the products supplied by it shall be free from material defects in material and workmanship for a period of one (1) year after shipment, provided they are installed and maintained according to ALUMAX BATH ENCLOSURE's recommended practices and installation instructions. This warranty shall apply only to defects appearing within one (1) year from the date of shipment, and provided that ALUMAX BATH ENCLOSURES is promptly notified in writing of such defects. The sole and exclusive remedy with respect to the above warranty or with respect to any other claim relating to defects or any other condition or use of the products supplied by ALUMAX BATH ENCLOSURES, however caused, and whether such claim is based upon warranty contract, negligence, strict liability, or any other theory, is limited to repair or supply of such products, or repayment by ALUMAX BATH ENCLOSURES of the purchase price paid for it, at ALUMAX BATH ENCLOSURE's option.

ALUMAX BATH ENCLOSURES does not make any other representations or warranties, express or implied, including, but not limited to, any implied warranty of merchantability and any implied warranty of fitness for a particular purpose. In no event shall ALUMAX BATH ENCLOSURES be liable for special, direct, indirect, or consequential damages, including, but not limited to, loss or use of profits.

Dealers agree to pass on to its customers and users in writing ALUMAX BATH ENCLOSURE's Warranty and Remedy as set forth above.

Laws and building and safety codes governing the design and use of bath enclosures vary widely. ALUMAX BATH ENCLOSURES does not control the selection of product configurations, operating hardware or glazing materials, and assumes no responsibility therefor.

INSTALLATION NOTES

Unpack your unit carefully and inspect for freight damage. Lay out and identify all parts using the instruction sheets as a reference. Before discarding the carton, check for small hardware bags that tend to fall to the bottom of the box. If any parts are damaged or missing, refer to the descriptions noted in the instructions when contacting your dealer for replacements.

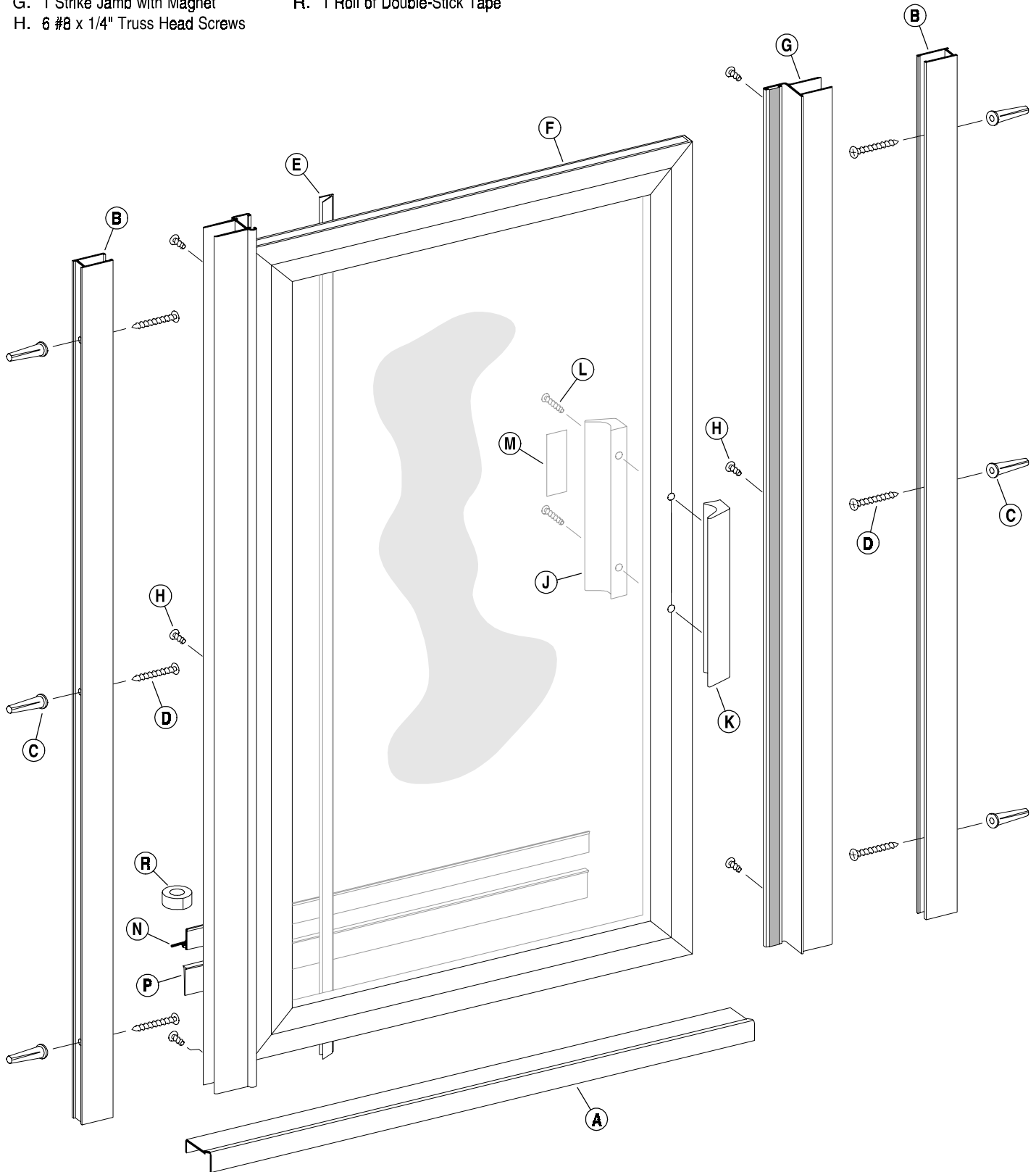
Handle glazed panels carefully and protect the edges. Safety tempered glass is very resistant to breakage, but the sharp corners of the panels can damage tile and floor coverings.

Please wear safety glasses whenever drilling or cutting. When drilling holes in ceramic tile or marble, use a center punch and hammer to carefully break the surface glaze so the drill can start without skidding.

To install your Alumax Shower Enclosure you will need the following: tape measure, level, #2 Phillips screwdriver, drill, 1/8" and 3/16" drill bits, hacksaw, pencil, and caulking (clear silicone recommended). Optional tools include a miter box for cutting parts to length, files, center punch, clear glue and masking tape.

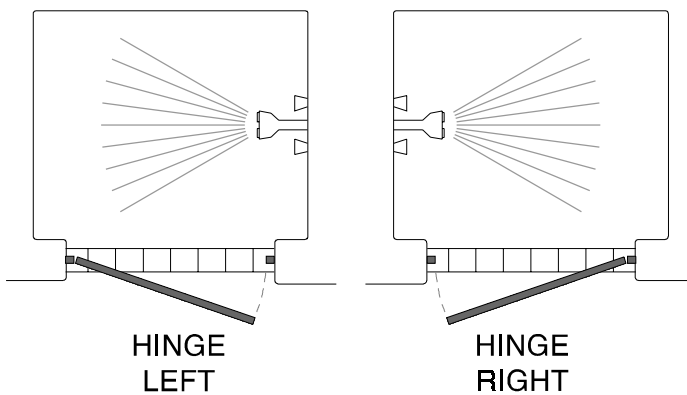
700i PARTS LIST

- | | |
|------------------------------------|------------------------------------|
| A. 1 Curb | J. 1 Interior Door Handle |
| B. 2 Wall Jamb | K. 1 Exterior Door Handle |
| C. 6 Plastic Wall Anchors | L. 2 #6 x 1 1/4" Round Head Screws |
| D. 6 #8 x 1 1/2" Truss Head Screws | M. 1 Alumax Decal |
| E. 1 Clear Vinyl Jamb Seal | N. 1 Splash Deflector |
| F. 1 Door & Hinge Jamb Assembly | P. 1 Clear Vinyl Wiper |
| G. 1 Strike Jamb with Magnet | R. 1 Roll of Double-Stick Tape |
| H. 6 #8 x 1/4" Truss Head Screws | |



1 The ALUMAX 700i Intra-Hinge Shower Door is completely reversible and may be installed hinge-left or hinge-right. Refer to the illustration to determine the correct position for your installation. For maximum waterproofing, the hinge jamb should always be opposite the shower head. These instructions depict a hinge-left installation.

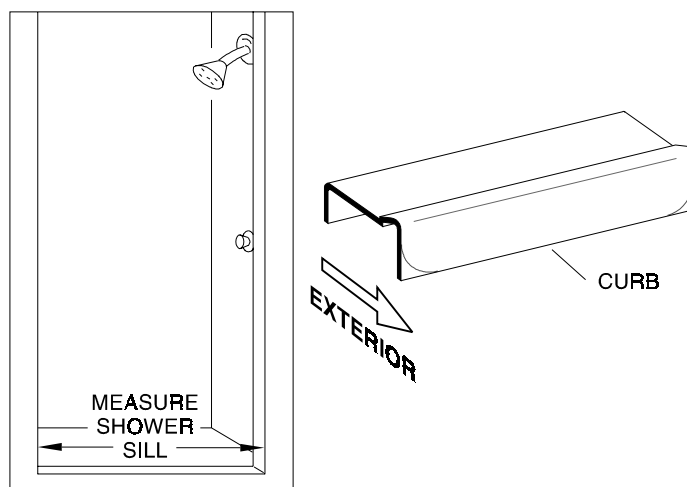
CAUTION: For safety, the door must always open outward.



2 NOTE: The 700i unit may be installed without using the sloped curb [A] provided. Its use is definitely recommended for positive water control on shower sills with little or no slope.

Measure the wall-to-wall opening at the shower sill and cut the curb to the exact length. File the ends of curb as necessary to fit the corner contours of the enclosure. Place the curb on the shower sill with the raised portion to the exterior of the enclosure. Make sure the curb is centered on the sill and lightly mark its position on the sill with a pencil.

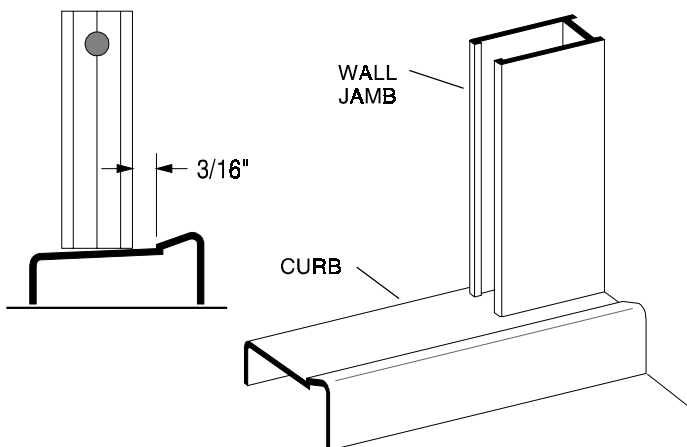
Remove the curb from the sill and run two beads of caulk inside the penciled marks on the shower sill. Place the curb in the exact position marked and seat it firmly in the caulking.



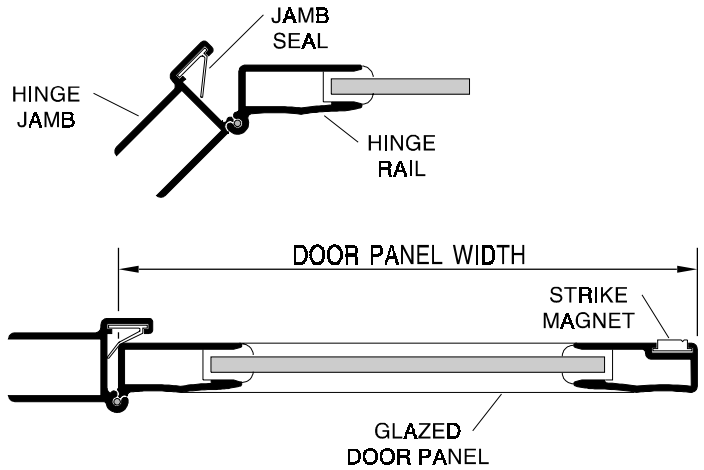
3 Place one of the wall jambs [B] against the wall with the bottom end 3/16" from the raised side of the curb [A]. Plumb the jamb and mark the hole locations on the wall. Repeat for the other wall jamb. Remove all parts and drill the walls for mounting hardware.

For tile or marble walls, drill six 3/16" diameter holes and insert the plastic wall anchors [C]. A center punch helps locate the holes accurately.

Attachments to fiberglass or acrylic units can be made in two ways. If a reinforcement is built into the wall of unit, drill six 1/8" holes to install mounting screws directly into the reinforcement. If walls are not reinforced, drill 3/16" holes and install plastic wall anchors or toggle bolts (toggle bolts not supplied by ALUMAX).

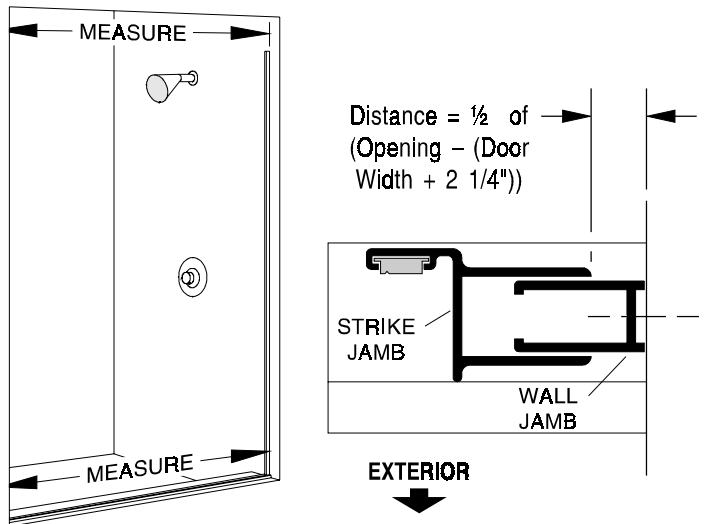


4 Slide the clear vinyl jamb seal **[E]** into the slot in the hinge jamb/door panel assembly **[F]** as shown. Trim the jamb seal even with the end of the jamb. The jamb seal can be secured with a small amount of clear glue or caulk or by carefully crimping the slot ends.

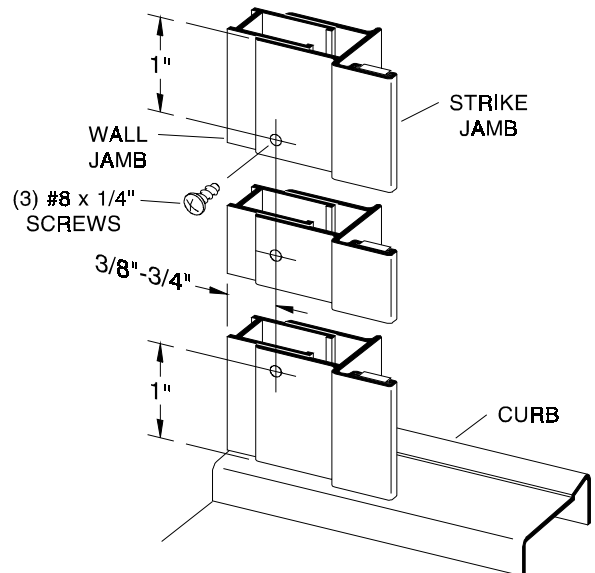


5 Slide the strike jamb **[G]** over one of the mounted wall jambs **[B]** with the magnet facing outward.

Measure the wall-to-wall opening at the top and at the bottom of the wall jambs and note the smaller dimension. Measure the width of the door panel **[F]** at the bottom rail. Add 2 1/4" to the door width, subtract the total from the minimum wall-to-wall opening and divide the result by two. This should be the distance from the wall to the strike jamb at the closest point. Plumb the strike jamb vertically and mark its location on the wall jamb with a pencil.

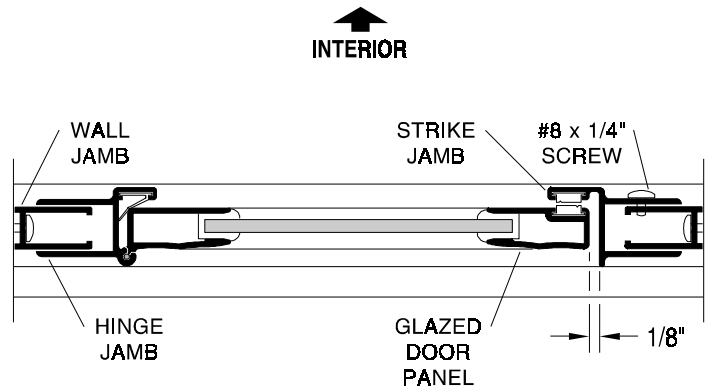


6 Inside the shower enclosure, drill two 1/8" holes thru the strike jamb **[G]** and into the wall jamb **[B]** 3/8" to 3/4" from the wall and approximately 1" vertically from each end of the strike jamb. Drill a third hole centered between the first two, then enlarge the three outer holes with a 3/16" drill for clearance on the self-tapping screws. Attach the strike jamb permanently with three #8 x 1/4" truss head screws **[H]**.



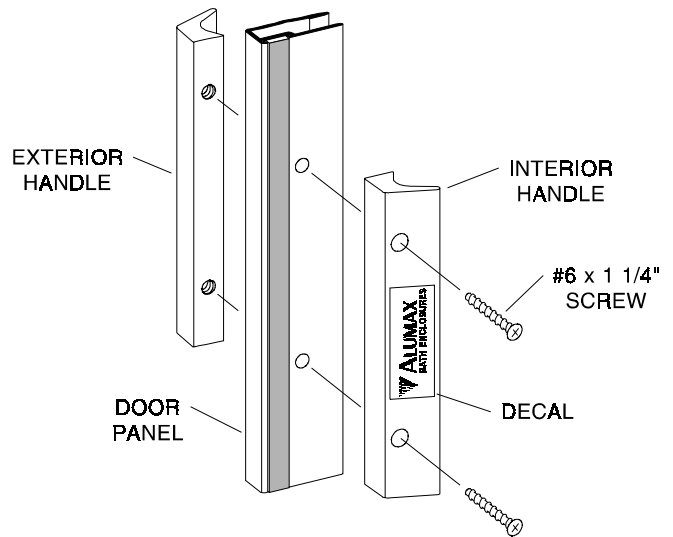
7 Slide the door panel/hinge jamb assembly [F] over the other wall jamb [B] until the door panel and the strike jamb [G] can meet. With the door closed and the latch magnets engaged, the proper door panel to strike jamb clearance is 1/8" (see illustration). Mark the hinge jamb's location on the wall jamb with a pencil.

Attach the hinge jamb permanently per the instructions in Step #6.



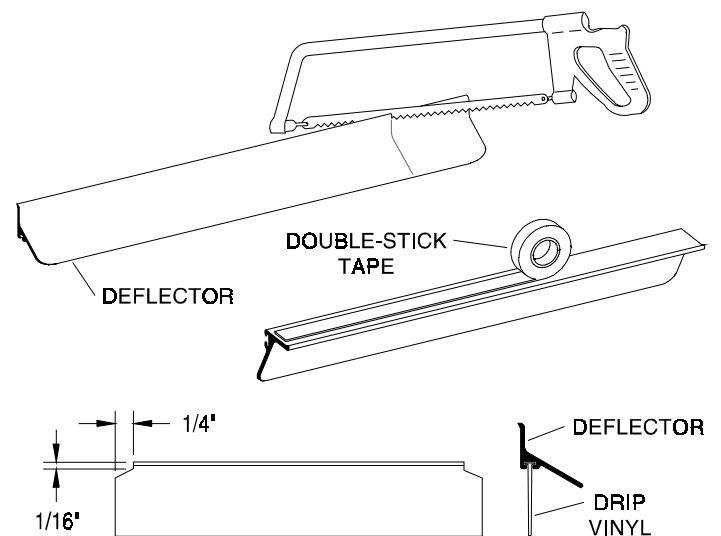
8 Attach the interior door handle [J] and the exterior door handle [K] to the door panel [F] with two #6-32 x 1 1/4" round head screws [L].

Peel the backing from the ALUMAX decal [M] and apply it to the interior door handle as shown in the illustration.



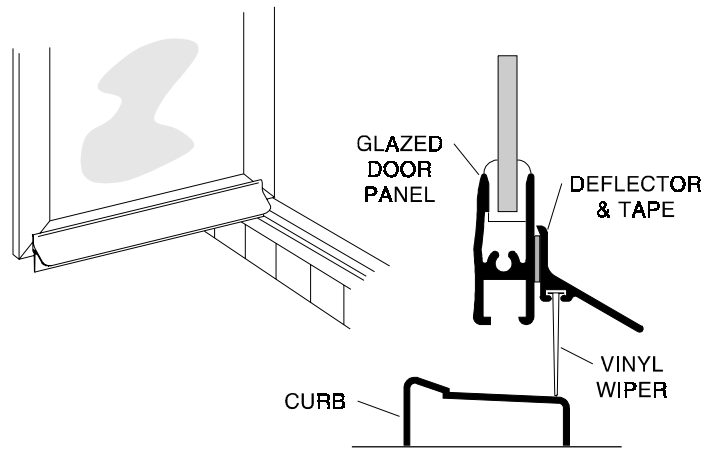
9 Cut the splash deflector [N] to the length of the bottom door rail minus 1". Round the cut edge of the deflector with a file. Cut the clear wiper vinyl [P] 1/2" longer than the deflector and notch it on each end as shown. Slide the wiper vinyl into the deflector and glue or crimp the ends of the vinyl slot.

Clean the inside edge of the bottom door rail and the flat side of the deflector thoroughly to ensure proper adhesion of the double stick tape [R]. Unroll the tape and carefully attach it to the back of the deflector (do not peel the tape backing yet).



10

Hold the splash deflector [N] against the inside of the door bottom rail 1/16" from the hinge jamb and with the wiper vinyl [P] just touching the curb. Mark the location of each end of the deflector with a pencil. Peel the backing off of the double-stick tape [R] and carefully (you only get one try) stick the splash deflector to the door using the pencil marks for alignment.

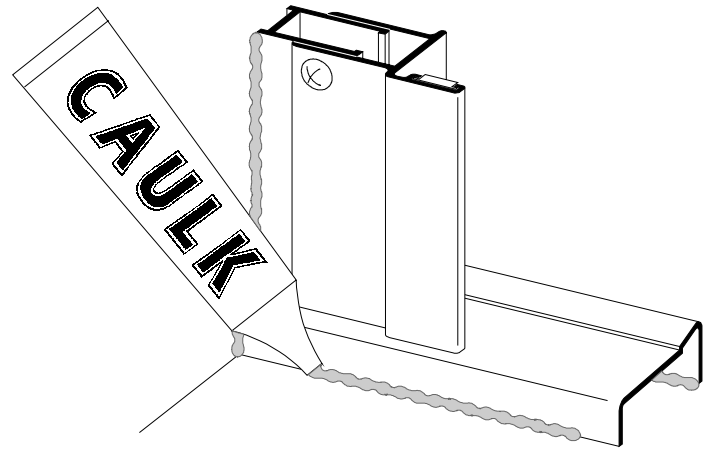


11

Neatly caulk the inside perimeter of the shower curb and the hinge and strike jambs.

NOTE: Improper caulking will result in leaks.

NOTE: The caulking should be allowed to cure for twenty-four hours before using your new shower enclosure.



The Care and Cleaning of your new ALUMAX Bath Enclosure. The simplest and preferred method of cleaning your unit is by washing it with clean water and drying with a soft cloth. If soil is still present after drying, a non-abrasive cleanser with a pH of seven to eight may be used. Comet Bathroom Cleaner® has been tested and is recommended by the Bath Enclosure Manufacturers Association (BEMA). Do not use scouring pads, sharp instruments, or acid-based cleansers to clean the unit.

Thank you for choosing an ALUMAX Bath Enclosure. Please take a moment to complete and return the enclosed Customer Response Card. The information you provide helps us improve the quality of our products and provide better service to you, our customer.