

692 SERIES PIVOT SHOWER ENCLOSURE



LIMITED WARRANTY AND REMEDY

ALUMAX BATH ENCLOSURES warrants to its dealers, customers, and all subsequent purchasers and users, that the products supplied by it shall be free from material defects in material and workmanship for a period of one (1) year after shipment, provided they are installed and maintained according to ALUMAX BATH ENCLOSURE's recommended practices and installation instructions. This warranty shall apply only to defects appearing within one (1) year from the date of shipment, and provided that ALUMAX BATH ENCLOSURES is promptly notified in writing of such defects. The sole and exclusive remedy with respect to the above warranty or with respect to any other claim relating to defects or any other condition or use of the products supplied by ALUMAX BATH ENCLOSURES, however caused, and whether such claim is based upon warranty contract, negligence, strict liability, or any other theory, is limited to repair or supply of such products, or repayment by ALUMAX BATH ENCLOSURES of the purchase price paid for it, at ALUMAX BATH ENCLOSURE's option.

ALUMAX BATH ENCLOSURES does not make any other representations or warranties, express or implied, including, but not limited to, any implied warranty of merchantability and any implied warranty of fitness for a particular purpose. In no event shall ALUMAX BATH ENCLOSURES be liable for special, direct, indirect, or consequential damages, including, but not limited to, loss or use of profits.

Dealers agree to pass on to its customers and users in writing ALUMAX BATH ENCLOSURE's Warranty and Remedy as set forth above.

Laws and building and safety codes governing the design and use of bath enclosures vary widely. ALUMAX BATH ENCLOSURES does not control the selection of product configurations, operating hardware or glazing materials, and assumes no responsibility therefor.

INSTALLATION NOTES

Unpack your unit carefully and inspect for freight damage. Lay out and identify all parts using the instruction sheets as a reference. Before discarding the carton, check for small hardware bags that tend to fall to the bottom of the box. If any parts are damaged or missing, refer to the descriptions noted in the instructions when contacting your dealer for replacements.

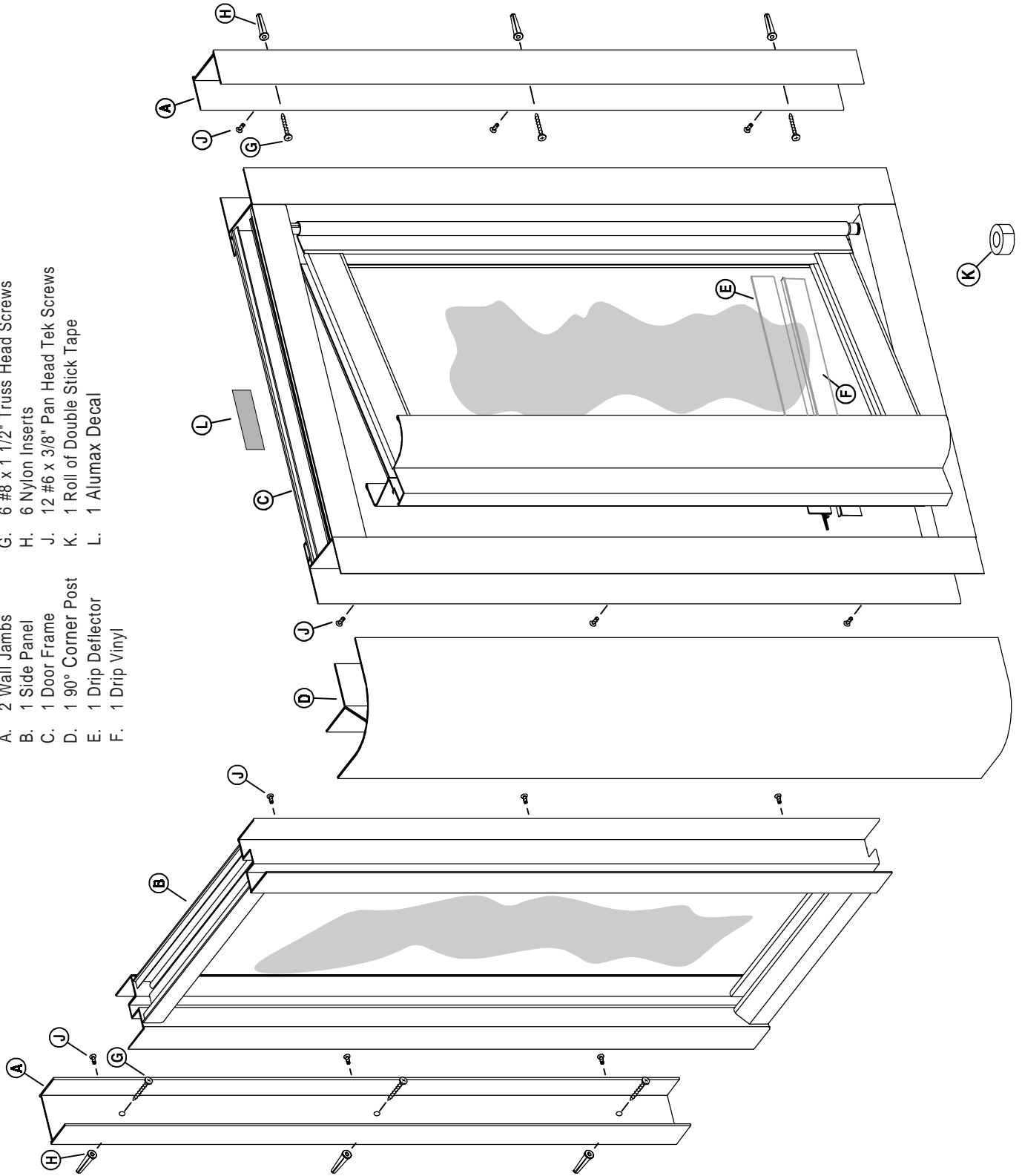
Handle the glass panels carefully and protect the edges. Safety tempered glass is very resistant to breakage, but it *can be broken* by banging the edges against a hard surface. The sharp corners of the panels can damage tile and floor surfaces, so do not remove any protective devices until you are ready to install the glass.

Please wear safety glasses whenever drilling or cutting. When drilling holes in ceramic tile or marble, use a center punch and hammer to carefully break the surface glaze so the drill can start without skidding.

To install your ALUMAX Shower Enclosure you will need the following: tape measure, level, #2 Phillips screwdriver, drill, 1/8" and 3/16" drill bits, pencil, glass cleaner, and caulking (clear silicone recommended).

692 PARTS LIST

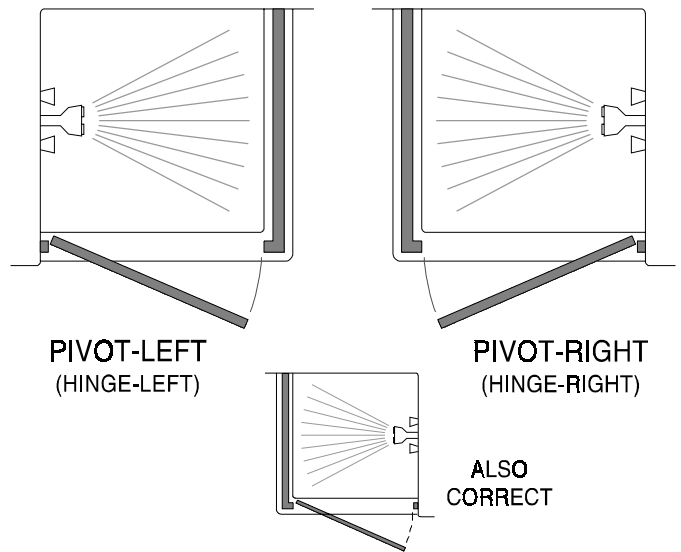
- A. 2 Wall Jamb
- B. 1 Side Panel
- C. 1 Door Frame
- D. 1 90° Corner Post
- E. 1 Drip Deflector
- F. 1 Drip Vinyl
- G. 6 #8 x 1 1/2" Truss Head Screws
- H. 6 Nylon Inserts
- J. 12 #6 x 3/8" Pan Head Tek Screws
- K. 1 Roll of Double Stick Tape
- L. 1 Alumax Decal



1

The ALUMAX 692 Shower Enclosure is completely reversible and may be installed pivot-left or pivot-right (hinge-left or hinge-right). For maximum waterproofing, the pivot jamb should be opposite the shower head. Using the diagram, determine the correct position for the door in your particular installation. This instruction sheet depicts a pivot-right installation.

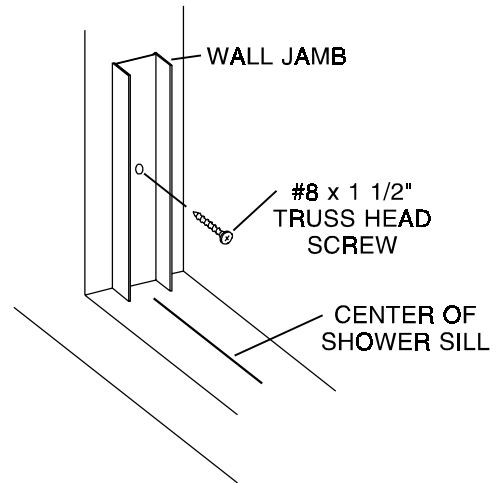
CAUTION: For safety reasons, the door panel must always open *outward*.



2

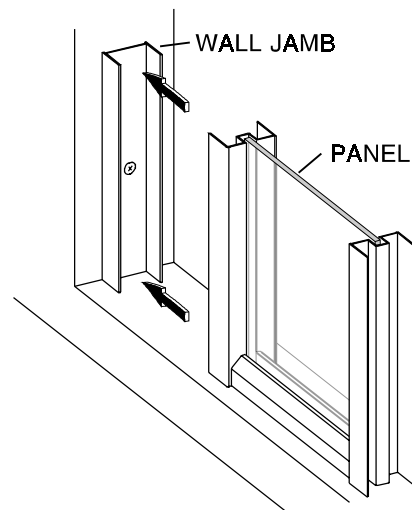
Locate and mark the center of the shower sill. Place the wall jambs [A] against the wall centered on the sill. Using a level, plumb the jambs and mark the hole locations on the wall. Masking tape may be used to temporarily secure the wall jamb while marking holes. Remove the wall jambs and drill three (3) holes through each wall at previously marked hole locations. For units with stud reinforcements, you should drill 1/8" diameter holes. For units with no reinforcements, drill the holes 3/16" diameter and insert the plastic wall anchors [G].

Replace the wall jambs and fasten with six (6) #8 x 1 1/2" truss head screws [F].



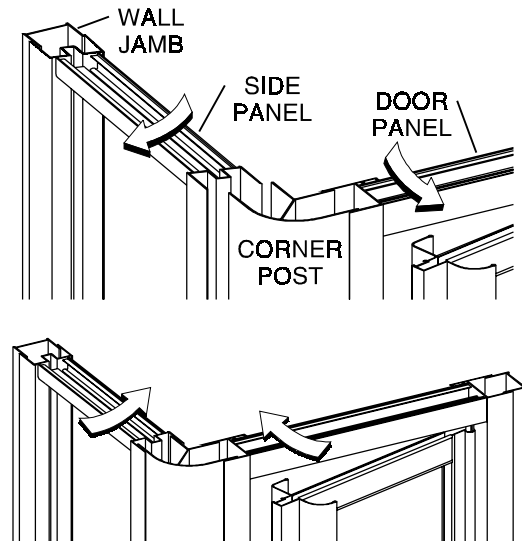
3

Slide the side panel [B] over the respective wall jamb but do not secure them. Slide the framed door panel over its respective wall jamb in the same manner but do not secure it.



4

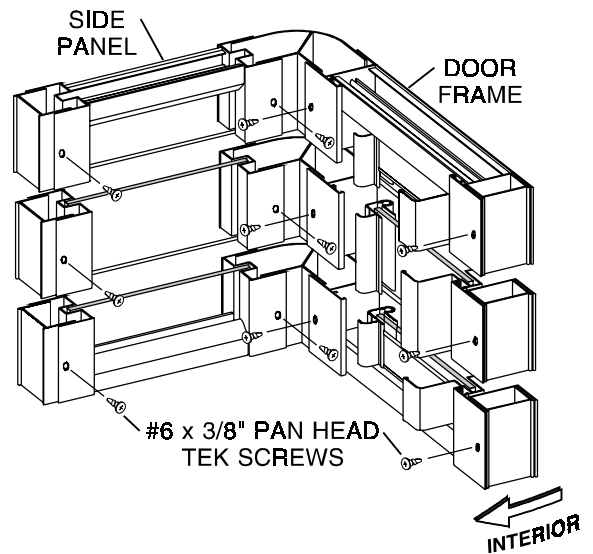
Slightly rotate the side panel and door panel outward to allow the corner post to be installed. Slide the corner post in the door frame [C]. Carefully rotate the side panel and door panel back into position while guiding the corner post into place on the side panel [B].



5

Be sure the side panel [B] and door frame [C] are plumb and sitting level on the shower sill. Secure the side panel and the door frame to the wall jambs [A] with six (6) #6 x 3/8" pan head tek screws [J]. Secure the side panel and the door frame to the corner post [D] using the six (6) additional #6 x 3/8" pan head tek screws [J].

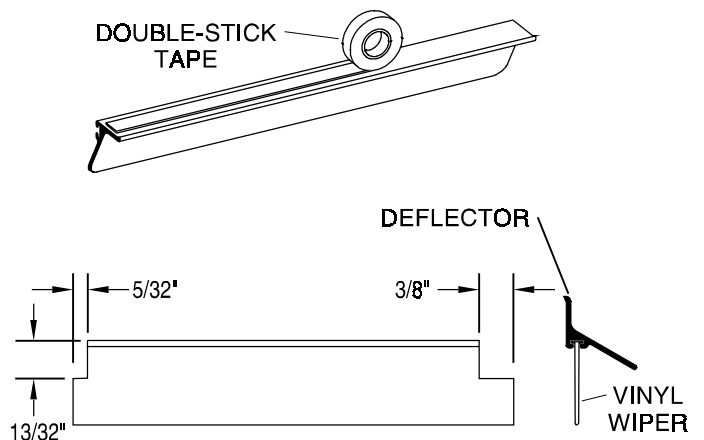
These screws [J] do not require drilling through the wall jambs or the corner post and predrilled pilot holes are provided in the side panel and the door frame for guiding the screws.



6

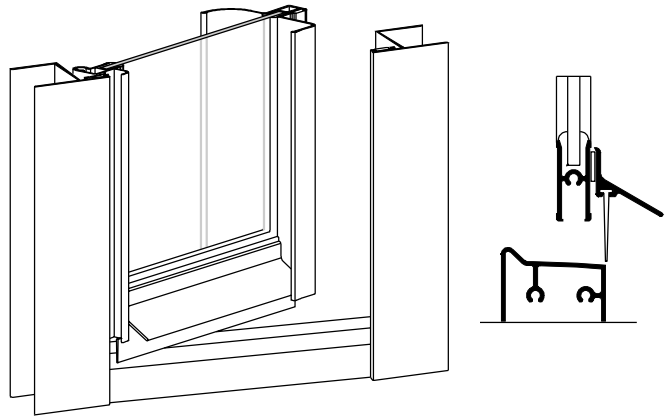
Cut the drip vinyl [F] 1/2" longer than the drip deflector [E] and notch it on each end as shown. Slide the drip vinyl into the deflector and glue or crimp the ends of the vinyl slot.

Clean the inside edge of the bottom door rail and the flat side of the deflector thoroughly to ensure proper adhesion of the double stick tape [K]. Unroll the tape and carefully attach it to the back of the deflector (do not peel the tape backing yet).



7

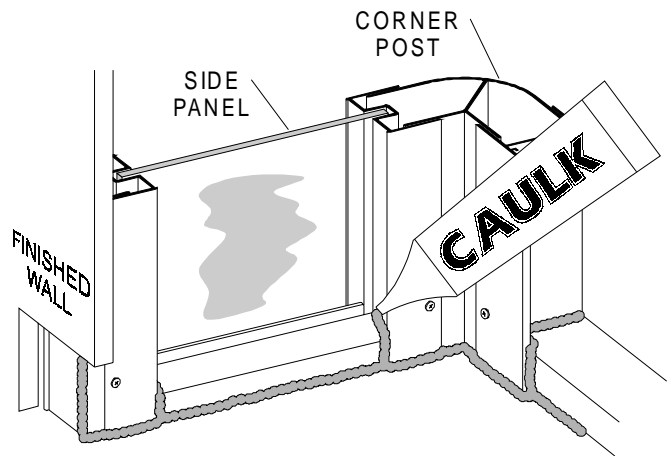
Hold the drip deflector [E] against the inside of the door bottom rail, positioning it properly so that the door closes without interference. Mark the location of the drip deflector on the top edge and side. Peel the backing off of the double stick tape [K] and carefully (you only get one try) stick the drip deflector to the door using the marks for alignment.



8

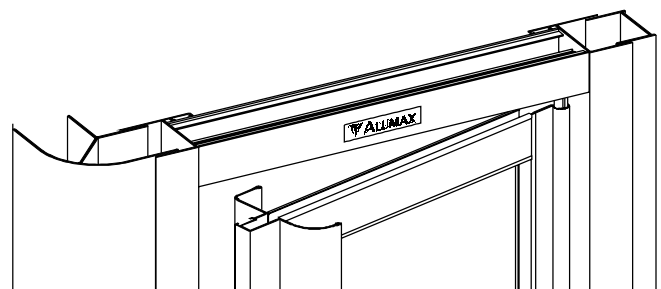
Wipe the shower walls and sill, and shower door assembly with a clean, dry cloth to remove any dust or debris. Apply a 1/4" bead of caulk along the inside of both wall jambs at the wall surface, along the inside of the curb at the shower sill surface, and between the curbs and vertical rails.

NOTE: The finished wall is shown cut away for clarity.



9

Peel the backing from the adhesive side of the Alumax decal [L]. Place the decal in the center of the header over the door frame.



The Care and Cleaning of your new Alumax Bath Enclosure. The simplest and preferred method of cleaning your unit is by washing it with clean water and drying with a soft cloth. If soil is still present after drying, a non-abrasive cleanser with a pH of seven to eight may be used. Comet Bathroom Cleaner® has been tested and is recommended by the Bath Enclosure Manufacturers Association (BEMA). Do not use scouring pads, sharp instruments, or acid-based cleansers to clean the unit.

Thank you for choosing an Alumax Bath Enclosure. Please take a moment to complete and return the enclosed Customer Response Card. The information you provide helps us improve the quality of our products and provide better service to you, our customer.