



ALUMAX

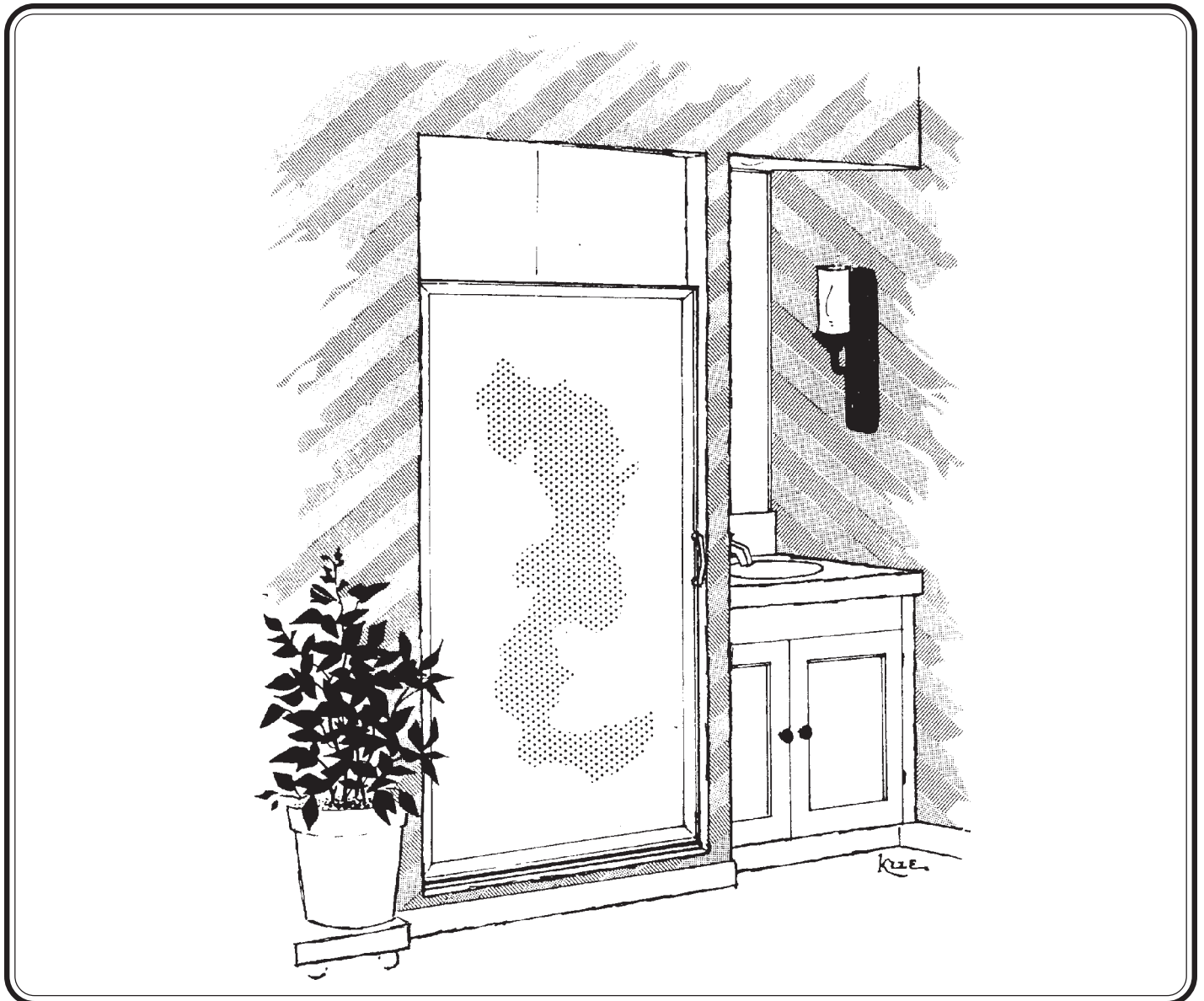
BATH ENCLOSURES

a product of Alcoa

PO Box 40, Magnolia, AR 71754-0040 (870) 234-4260

INSTALLATION
INSTRUCTIONS

600 SERIES CONTINUOUS-HINGE SHOWER DOOR



LIMITED WARRANTY AND REMEDY

ALUMAX BATH ENCLOSURES warrants to its dealers, customers, and all subsequent purchasers and users, that the products supplied by it shall be free from material defects in material and workmanship for a period of one (1) year after shipment, provided they are installed and maintained according to ALUMAX BATH ENCLOSURE's recommended practices and installation instructions. This warranty shall apply only to defects appearing within one (1) year from the date of shipment, and provided that ALUMAX BATH ENCLOSURES is promptly notified in writing of such defects. The sole and exclusive remedy with respect to the above warranty or with respect to any other claim relating to defects or any other condition or use of the products supplied by ALUMAX BATH ENCLOSURES, however caused, and whether such claim is based upon warranty contract, negligence, strict liability, or any other theory, is limited to repair or supply of such products, or repayment by ALUMAX BATH ENCLOSURES of the purchase price paid for it, at ALUMAX BATH ENCLOSURE's option.

ALUMAX BATH ENCLOSURES does not make any other representations or warranties, express or implied, including, but not limited to, any implied warranty of merchantability and any implied warranty of fitness for a particular purpose. In no event shall ALUMAX BATH ENCLOSURES be liable for special, direct, indirect, or consequential damages, including, but not limited to, loss or use of profits.

Dealers agree to pass on to its customers and users in writing ALUMAX BATH ENCLOSURE's Warranty and Remedy as set forth above.

Laws and building and safety codes governing the design and use of bath enclosures vary widely. ALUMAX BATH ENCLOSURES does not control the selection of product configurations, operating hardware or glazing materials, and assumes no responsibility therefor.

INSTALLATION NOTES

Unpack your unit carefully and inspect for freight damage. Lay out and identify all parts using the instruction sheets as a reference. Before discarding the carton, check for small hardware bags that tend to fall to the bottom of the box. If any parts are damaged or missing, refer to the descriptions noted in the instructions when contacting your dealer for replacements.

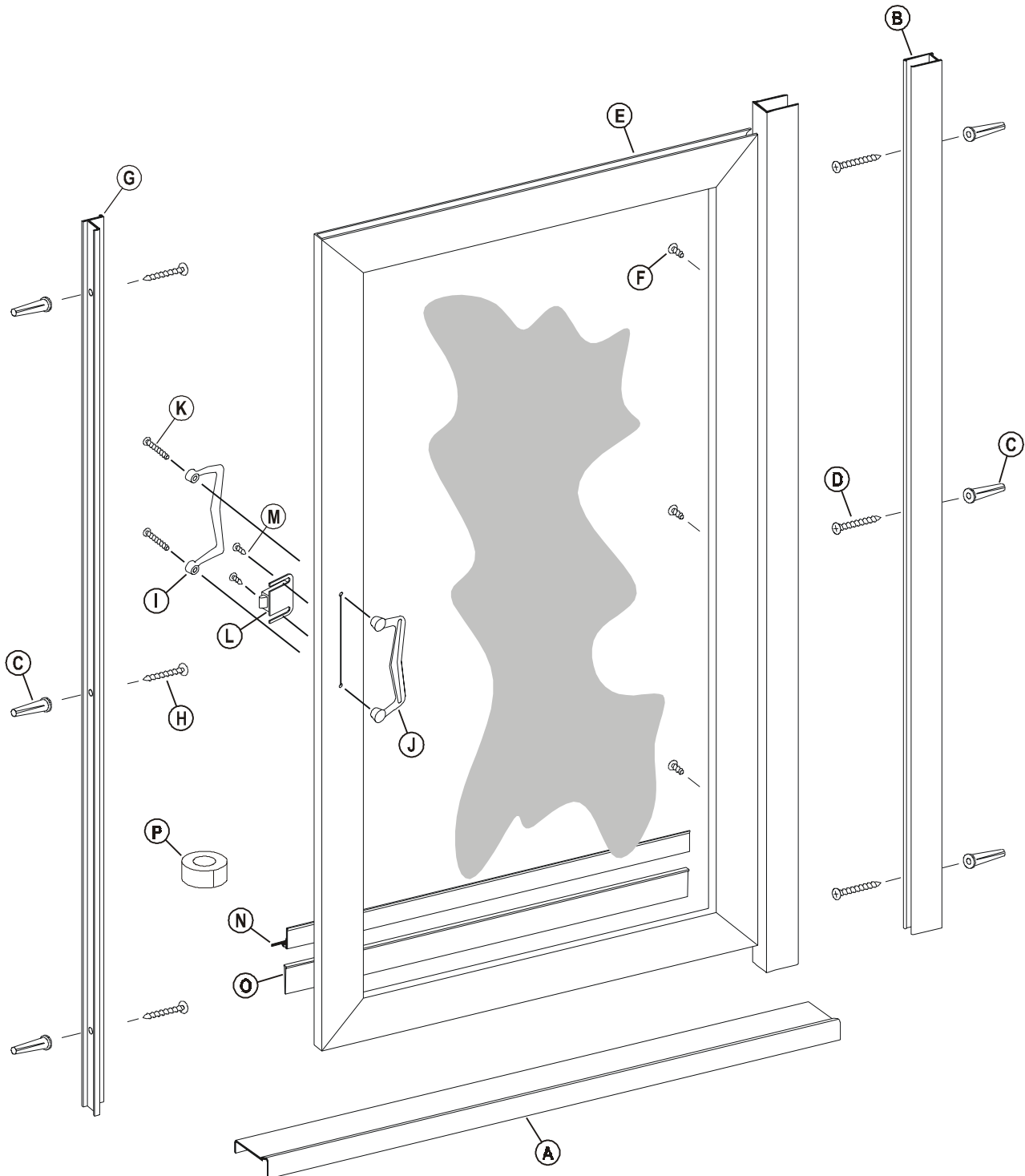
Handle glazed panels carefully and protect the edges. Safety tempered glass is very resistant to breakage, but the sharp corners of the panels can damage tile and floor coverings.

Please wear safety glasses whenever drilling or cutting. When drilling holes in ceramic tile or marble, use a center punch and hammer to carefully break the surface glaze so the drill can start without skidding.

To install your ALUMAX Shower Door you will need the following: tape measure, level, #2 Phillips screwdriver, drill, 1/8" and 3/16" drill bits, hacksaw, pencil, and caulking (clear silicone recommended). Optional tools include a miter box for cutting parts to length, files, center punch, clear glue and masking tape.

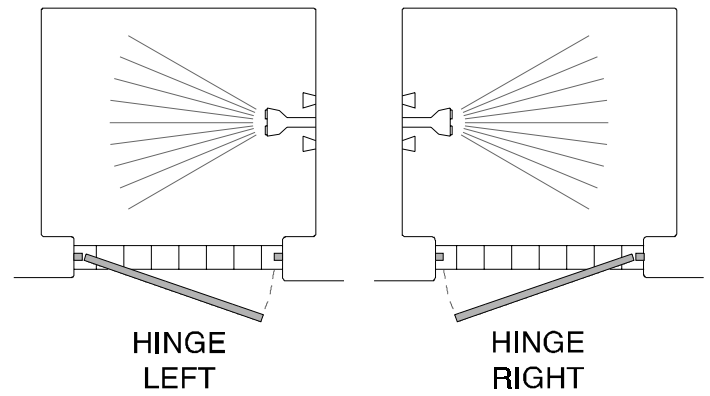
600c PARTS LIST

- | | | | |
|----|---------------------------------|----|--------------------------------|
| A. | 1 Curb | I. | Interior Door Handle |
| B. | 1 Wall Jamb | J. | 1 Exterior Door Handle |
| C. | 6 Plastic Wall Anchors | K. | 2 #8 x 1 1/8" Oval Head Screws |
| D. | 3 #8 x 1 1/2" Truss Head Screws | L. | 1 Door Latch |
| E. | 1 Glazed Door Panel | M. | 2 #6 x 1/4" Pan Head Screws |
| F. | 3 #8 x 1/4" Truss Head Screws | N. | 1 Drip Deflector |
| G. | 1 Strike Jamb | O. | 1 Drip Vinyl |
| H. | 3 #8 x 1 1/2" Flat Head Screws | P. | 1 Roll of Double Stick Tape |



1 The ALUMAX 600c Continuous-Hinge Shower Door is completely reversible and may be installed hinge-left or hinge-right. Refer to the illustration to determine the correct position for your installation. For maximum waterproofing, the hinge jamb should always be opposite the shower head. These instructions depict a hinge-right installation.

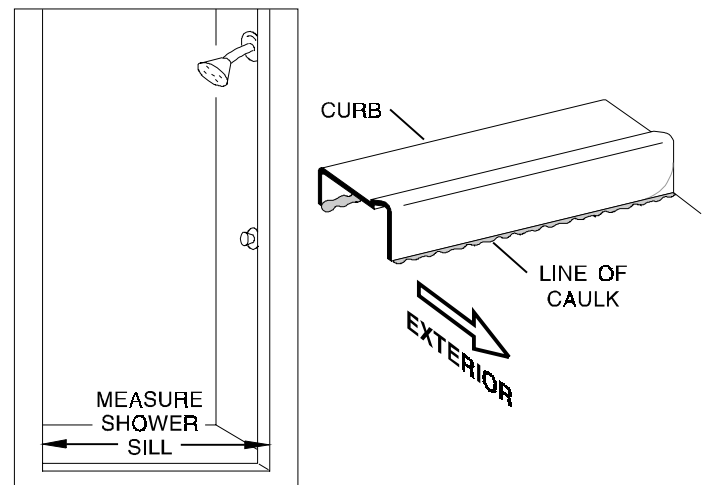
CAUTION: For safety, the door must always open *outward*.



2 NOTE: The 600c unit may be installed without using the sloped curb [A] provided. Its use is definitely recommended for positive water control on shower sills with little or no slope.

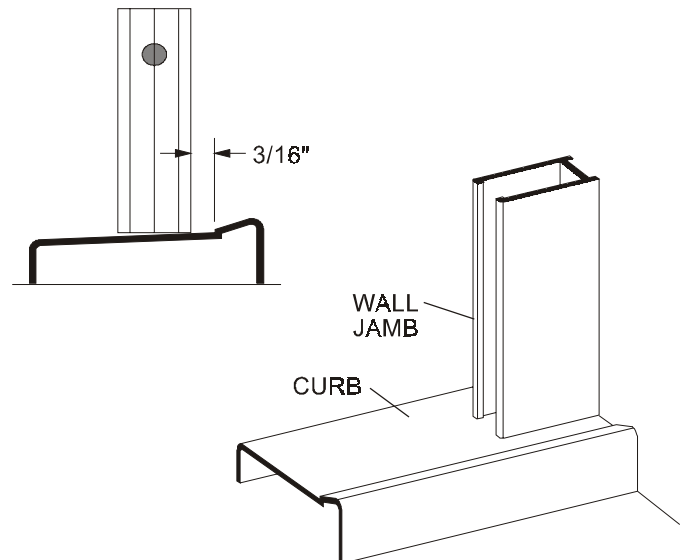
Measure the wall-to-wall opening at the shower sill and cut the curb to the exact length. File the ends of curb as necessary to fit the corner contours of the enclosure. Place the curb on the shower sill with the raised portion to the exterior of the enclosure. Make sure the curb is centered on the sill and lightly mark its position on the sill with a pencil.

Remove the curb from the sill and run two beads of caulk inside the penciled marks on the shower sill. Place the curb in the exact position marked and seat it firmly in the caulking.



3 Place the wall jamb [B] on the curb [A] with the edge of the wall jamb $3/16$ " from the raised edge of the curb. Use a level to plumb the jamb, then mark the mounting hole locations. Remove the wall jamb and drill the mounting holes.

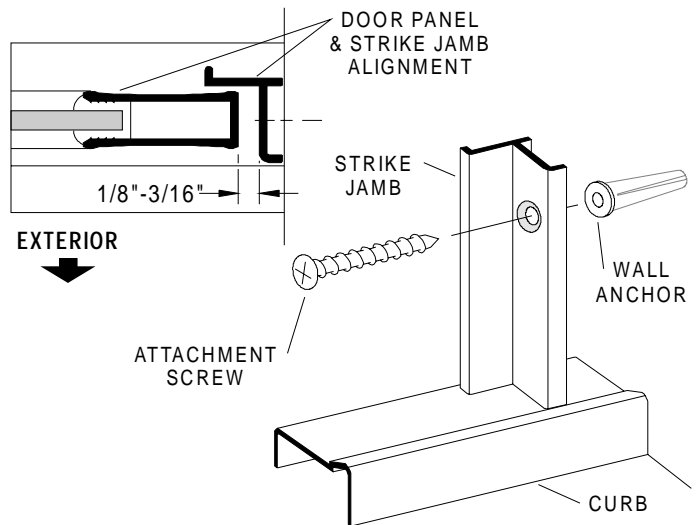
For tile or marble walls, drill three $3/16$ " diameter holes and insert the plastic wall anchors [C]. Attachments to fiberglass or acrylic units can be made in two ways. If a reinforcement is built into the wall of the unit, drill three $1/8$ " diameter holes to install mounting screws directly into the reinforcement. If walls are not reinforced, drill three $3/16$ " holes and install plastic wall anchors or Molly bolts (Molly bolts not supplied by ALUMAX). Fasten with three #8 x $1\ 1/2$ " truss head screws [D].



4

Place the strike jamb **[G]** against the wall with the bottom end against the raised side of the curb **[A]**. Swing the door **[E]** to a closed position (parallel to the curb) and position the strike jamb to contact the door evenly. There should be 1/8" to 3/16" space between the door panel and strike jamb for proper closing clearance. Hold the jamb in position and mark the hole locations.

Remove the strike jamb and drill the mounting holes as described in **Step #3**. Replace the strike jamb and attach to the wall with three #8 x 1 1/2" flat head screws **[H]**.

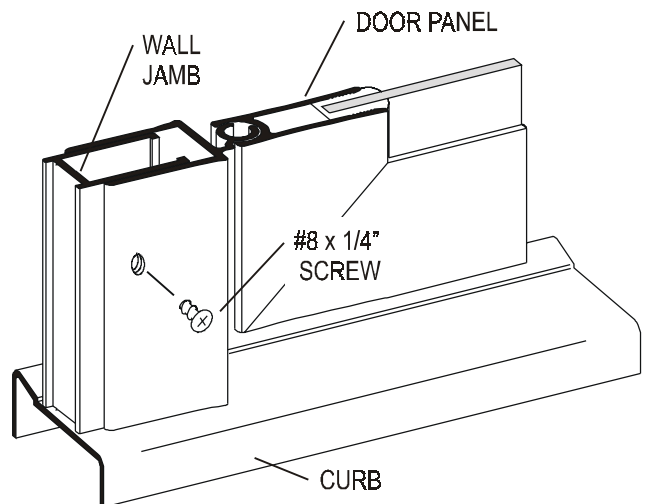


5

To allow this unit to be reversible, the hinge jamb extends 1/2" beyond both ends of the door panel. Once the proper door orientation has been determined (see Step #1), the 1/2" extension at the top of the door can be cut off for better appearance.

Place the door panel **[E]** on the curb with the pivot jamb over the wall jamb **[B]**. There is approximately 5/8" adjustment for the door panel on the pivot side.

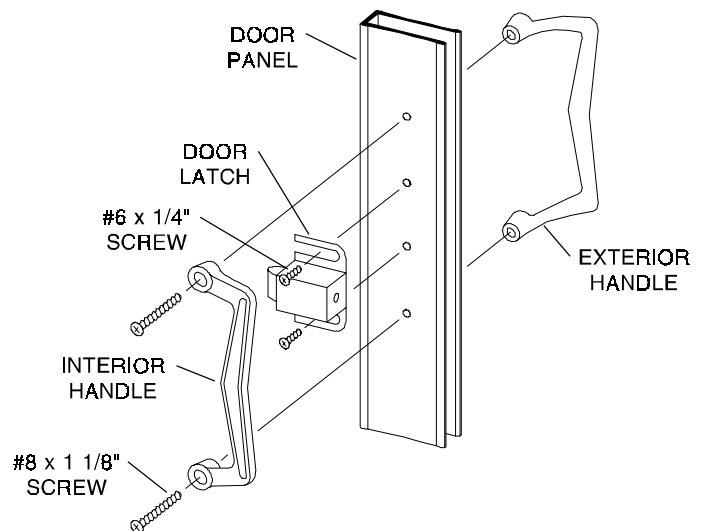
Once the location of the door panel is certain and the door is plumb with the strike jamb, drill three 1/8" holes through the door jamb and wall jamb and fasten with three #8 x 1/4" truss head screws **[F]**. Locate one hole near the bottom, one in the center and one at the top.



6

Attach the interior door handle **[I]** and exterior door handle **[J]** to the door panel with two #8 x 1 1/8" oval head screws **[K]**.

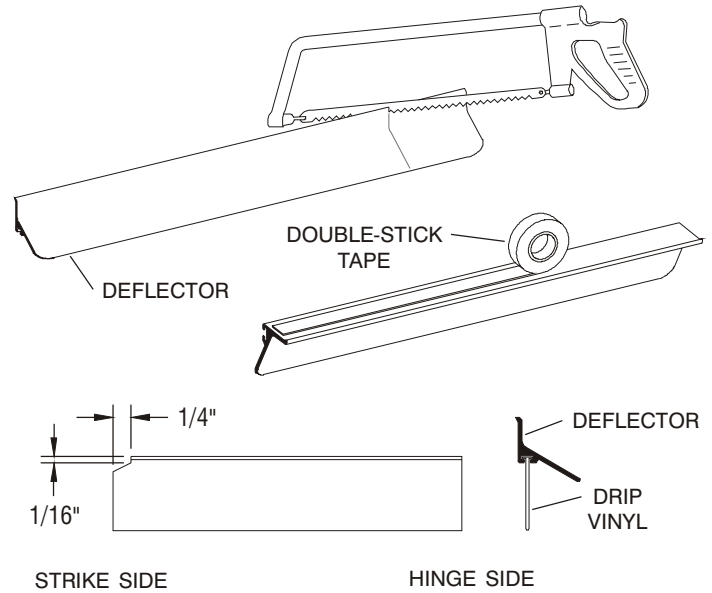
Attach the latch **[L]** loosely with two #6 x 1/4" pan head screws **[M]**. Close the door and adjust the latch for proper operation. Tighten the latch screws securely.



7

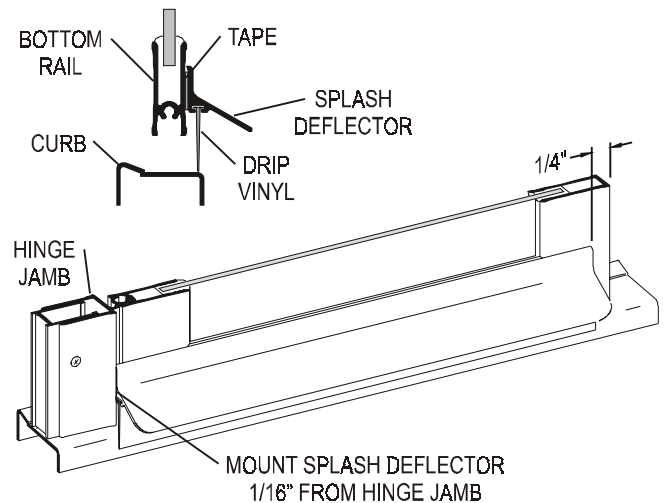
Cut the splash deflector [N] to the length of the bottom door rail minus 3/16". Check the fit of the deflector with the door closed and shorten if necessary (SEE STEP #8). Round the cut edge of the deflector with a file. Cut the clear vinyl wiper [O] 1/4" longer than the deflector and notch it the strike side as shown. Slide the wiper into the deflector until the hinge side is flush with the end of the deflector and glue or crimp the ends of the wiper slot.

Clean the inside edge of the bottom door rail and the flat side of the deflector thoroughly to ensure proper adhesion of the double-stick tape [P]. Unroll the tape and carefully attach it to the back of the deflector (do not peel the tape backing yet).



8

Hold the splash deflector [N] against the inside of the door bottom rail 1/16" from the hinge jamb and with the vinyl wiper [O] just touching the curb. Mark the location of each end of the deflector with a pencil. Peel the backing off of the double-stick tape [P] and carefully (you only get one try) stick the splash deflector to the door using the marks for alignment.

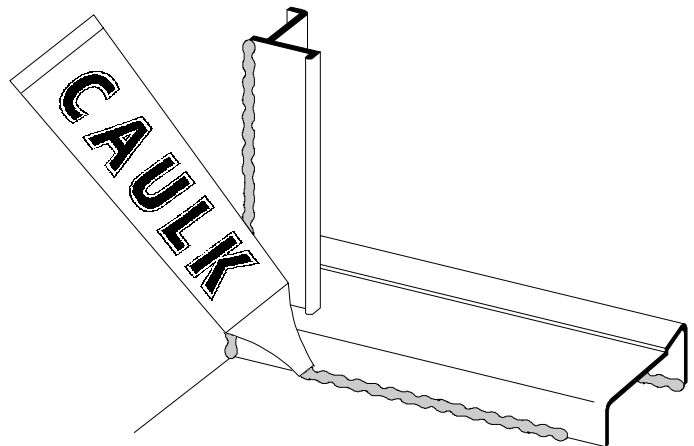


9

Neatly caulk the inside perimeter of the shower curb and the hinge and strike jambs.

NOTE: Improper caulking will result in leaks.

NOTE: The caulking should be allowed to cure for twenty-four hours before using your new shower enclosure.



The Care and Cleaning of your new ALUMAX Bath Enclosure. The simplest and preferred method of cleaning your unit is by washing it with clean water and drying with a soft cloth. If soil is still present after drying, a non-abrasive cleanser with a pH of seven to eight may be used. Comet Bathroom Cleaner® has been tested and is recommended by the Bath Enclosure Manufacturers Association (BEMA). Do not use scouring pads, sharp instruments, or acid-based cleansers to clean the unit.

Thank you for choosing an ALUMAX Bath Enclosure. Please take a moment to complete and return the enclosed Customer Response Card. The information you provide helps us improve the quality of our products and provide better service to you, our customer.