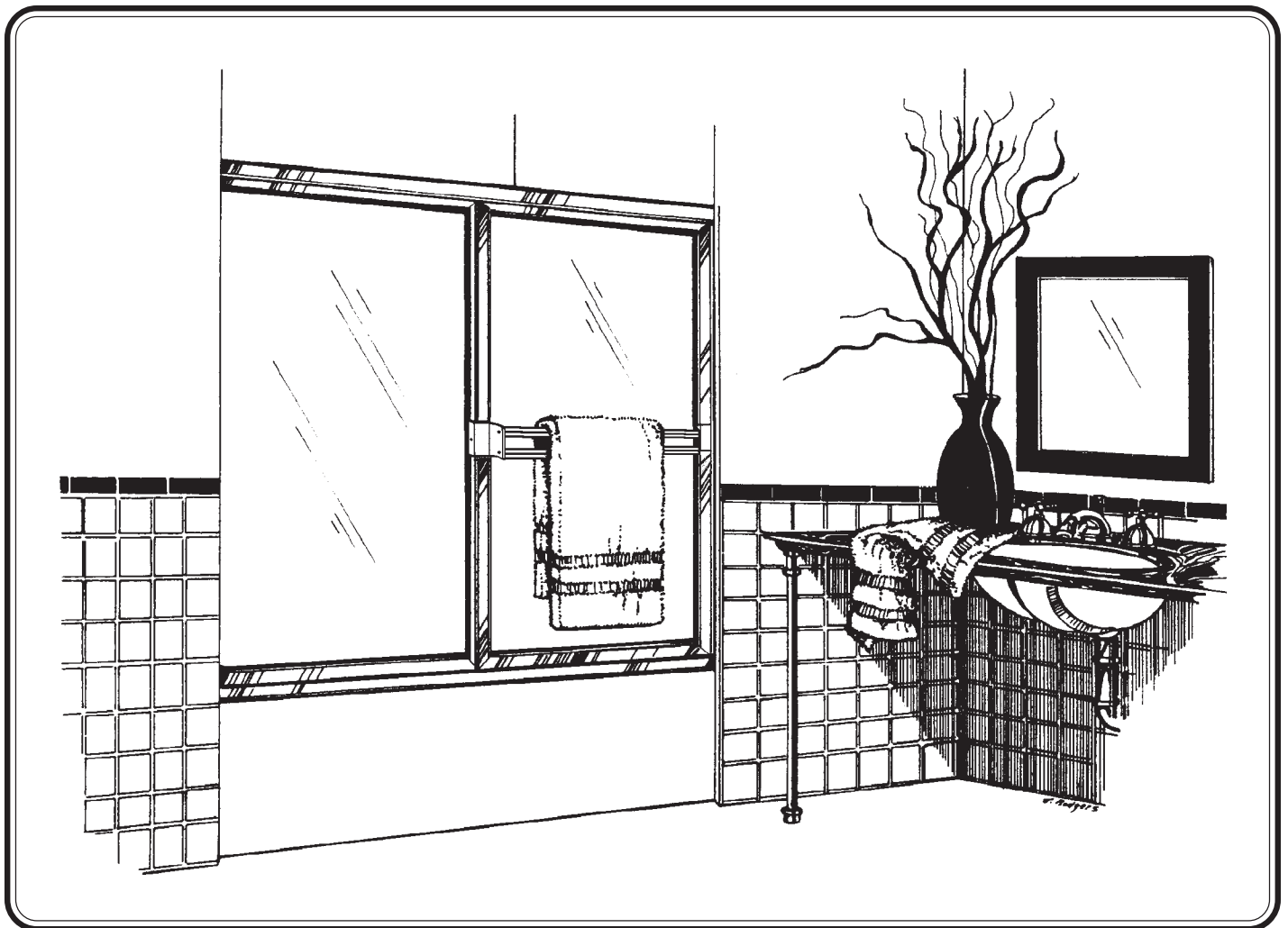


540 & 550 SERIES FRAMED BYPASS BATH ENCLOSURES



LIMITED WARRANTY AND REMEDY

ALUMAX BATH ENCLOSURES warrants to its dealers, customers, and all subsequent purchasers and users, that the products supplied by it shall be free from material defects in material and workmanship for a period of one (1) year after shipment, provided they are installed and maintained according to ALUMAX BATH ENCLOSURE'S recommended practices and installation instructions. This warranty shall apply only to defects appearing within one (1) year from the date of shipment, and provided that ALUMAX BATH ENCLOSURES is promptly notified in writing of such defects. The sole and exclusive remedy with respect to the above warranty or with respect to any other claim relating to defects or any other condition or use of the products supplied by ALUMAX BATH ENCLOSURES, however caused, and whether such claim is based upon warranty contract, negligence, strict liability, or any other theory, is limited to repair or supply of such products, or repayment by ALUMAX BATH ENCLOSURES of the purchase price paid for it, at ALUMAX BATH ENCLOSURE'S option.

ALUMAX BATH ENCLOSURES does not make any other representations or warranties, express or implied, including, but not limited to, any implied warranty of merchantability and any implied warranty of fitness for a particular purpose. In no event shall ALUMAX BATH ENCLOSURES be liable for special, direct, indirect, or consequential damages, including, but not limited to, loss or use of profits.

Dealers agree to pass on to its customers and users in writing ALUMAX BATH ENCLOSURE'S Warranty and Remedy as set forth above.

Laws and building and safety codes governing the design and use of bath enclosures vary widely. ALUMAX BATH ENCLOSURES does not control the selection of product configurations, operating hardware or glazing materials, and assumes no responsibility therefor.

INSTALLATION NOTES

Unpack your unit carefully and inspect for freight damage. Lay out and identify all parts using the instruction sheets as a reference. Before discarding the carton, check for small hardware bags that tend to fall to the bottom of the box. If any parts are damaged or missing, refer to the descriptions noted in the instructions when contacting your dealer for replacements.

Handle glazed panels carefully and protect the edges. Safety tempered glass is very resistant to breakage, but the sharp corners of the panels can damage tile and floor coverings.

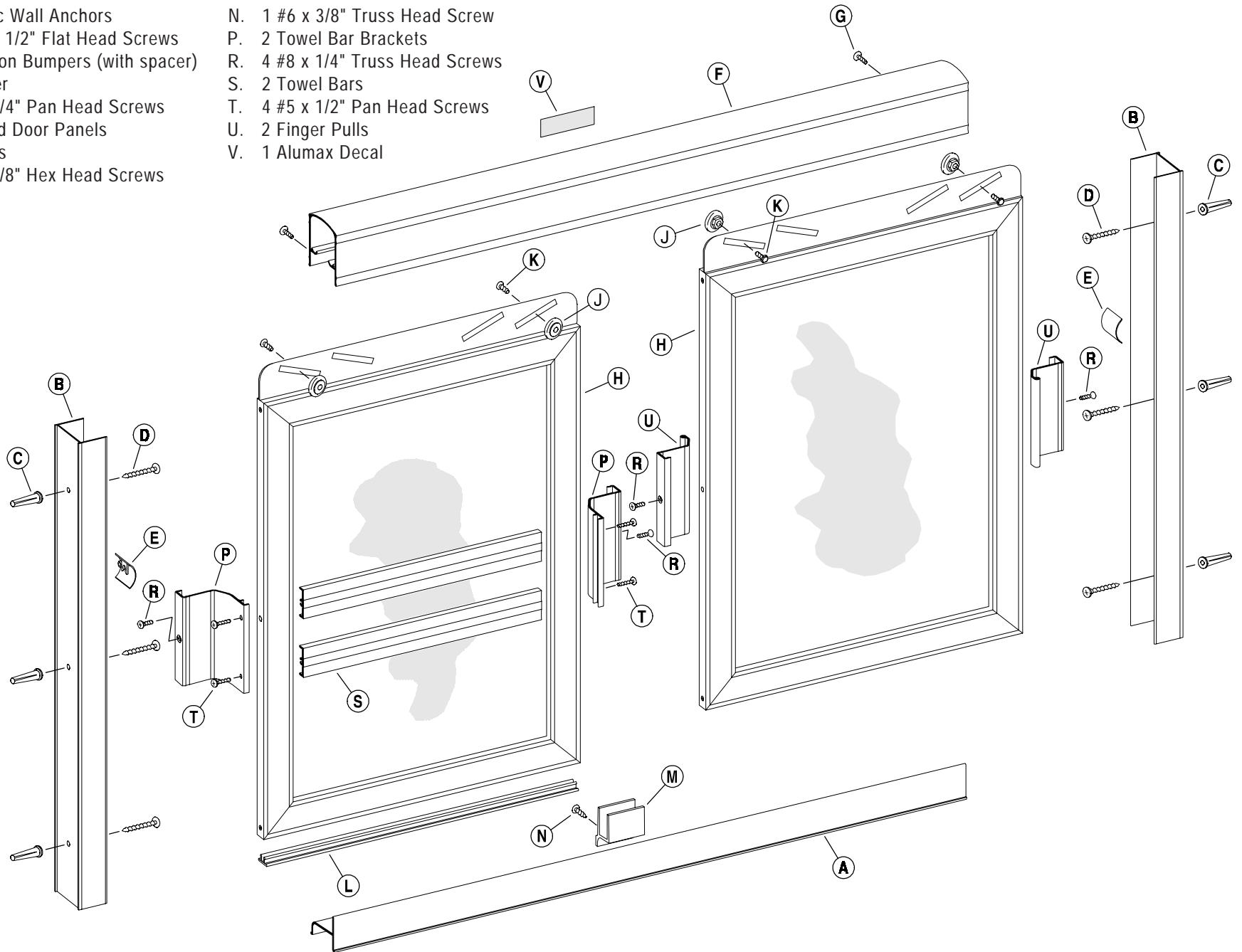
Please wear safety glasses whenever drilling or cutting. When drilling holes in ceramic tile or marble, use a center punch and hammer to carefully break the surface glaze so the drill can start without skidding.

To install your ALUMAX Bath Enclosure you will need the following: tape measure, level, #2 Phillips screwdriver, flat screwdriver, drill, 7/64", 1/8" and 3/16" drill bits, hacksaw, razor or sharp knife, pencil, and caulking (clear silicone recommended). Optional tools include a miter box for cutting parts to length, files, center punch and masking tape.

NOTE: Before beginning installation, check tub rim for level and walls for plumb. The maximum out-of-plumb condition is 3/4" for this unit.

540/550 PARTS LIST

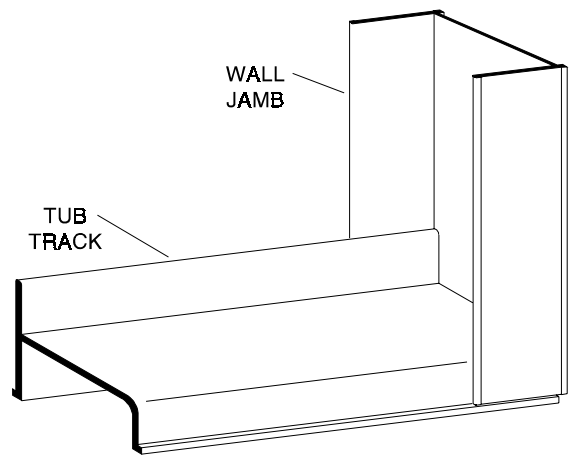
- | | |
|------------------------------------|----------------------------------|
| A. 1 Tub Track | L. 1 Bottom Silencer |
| B. 2 Wall Jamb | M. 1 Panel Guide |
| C. 6 Plastic Wall Anchors | N. 1 #6 x 3/8" Truss Head Screw |
| D. 6 #8 x 1 1/2" Flat Head Screws | P. 2 Towel Bar Brackets |
| E. 2 Snap-on Bumpers (with spacer) | R. 4 #8 x 1/4" Truss Head Screws |
| F. 1 Header | S. 2 Towel Bars |
| G. 2 #6 x 1/4" Pan Head Screws | T. 4 #5 x 1/2" Pan Head Screws |
| H. 2 Glazed Door Panels | U. 2 Finger Pulls |
| J. 4 Rollers | V. 1 Alumax Decal |
| K. 4 #8 x 3/8" Hex Head Screws | |



1 Measure the wall-to-wall opening at the center of the tub rim. Cut the tub track [A] 1/4" short of this dimension. An inexpensive miter box (available at your hardware store) will help you get clean square cuts.

Position the tub track in the center of the tub rim with the tall leg to the exterior. It may be necessary to file a radius on the ends of the tub track and wall jambs to match the corners of the tub.

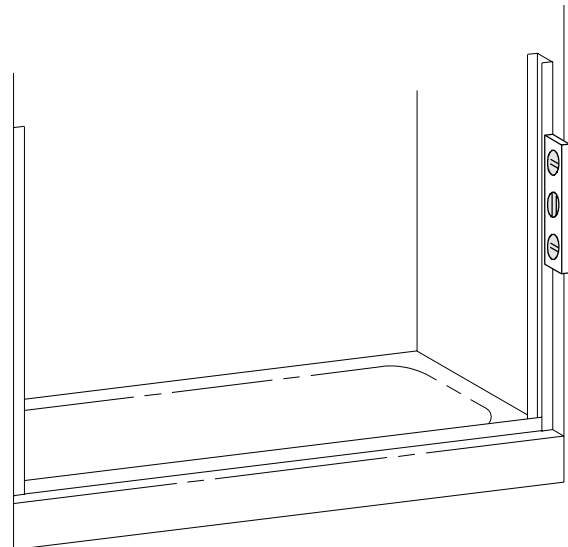
Press both wall jambs [B] into position over the tub track. Short strips of masking tape can be used to hold parts in place temporarily.



2 Use a level to plumb both wall jambs [B] and mark the pre-drilled hole locations on the wall. Lightly mark the position of the tub track [A] with a pencil and remove all parts.

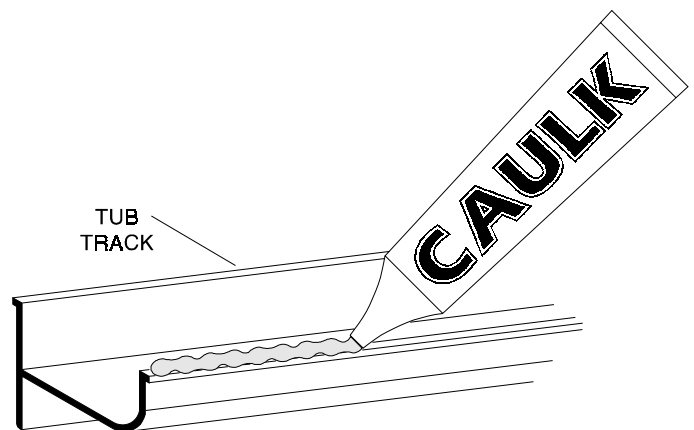
For tile or marble walls, drill six 3/16" diameter holes and insert the plastic wall anchors [C]. Attachments to fiberglass or acrylic units can be made in two ways. If a reinforcement is built into the wall of the unit, drill six 1/8" diameter holes to install mounting screws directly into the reinforcement. If walls are not reinforced, drill six 3/16" holes and install plastic wall anchors or Molly bolts (Molly bolts not supplied by ALUMAX).

CAUTION: The track should never be screwed to the tub. This will damage the tub and cause leakage.



3 Before replacing the tub track [A], gently force a slight downward bow in the extrusion. This will ensure the track fits tight to the tub. Caulk the bottom legs of the tub track as shown and replace in the exact position marked in Step #2.

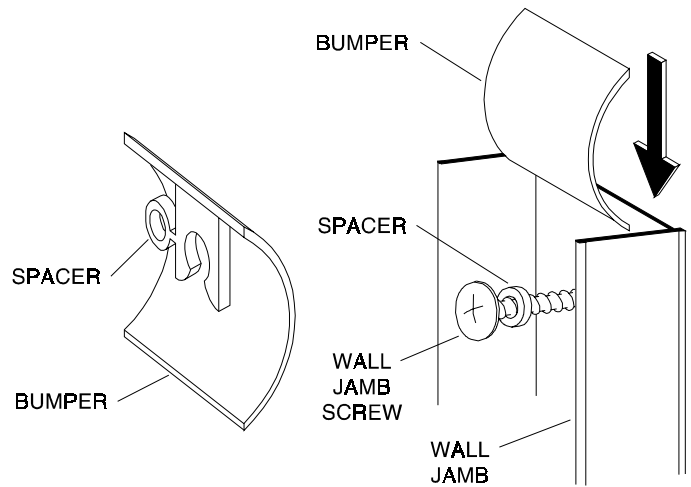
NOTE: Improper caulking will result in leaks.



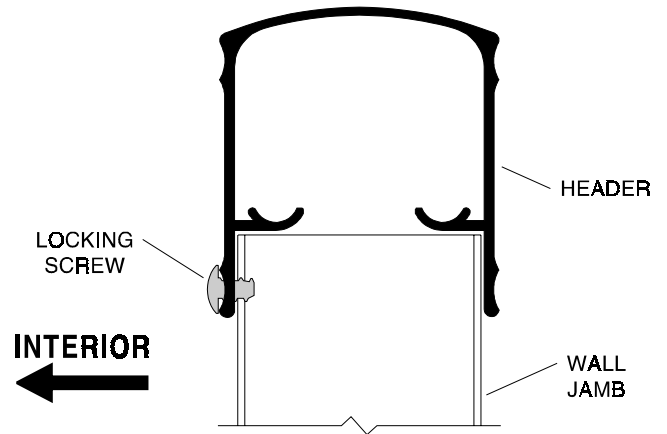
4 Replace both wall jambs [B] and attach to wall with four #8 x 1 1/2" truss head screws [D] inserted through the top and bottom holes.

Before installing the center screws, snap the round spacers off the plastic jamb bumpers [E] and slip onto the two #8 x 1 1/2" truss head screws. Install screws at the center holes of the jambs (do not overtighten).

Snap the bumpers over the heads of the center screws.



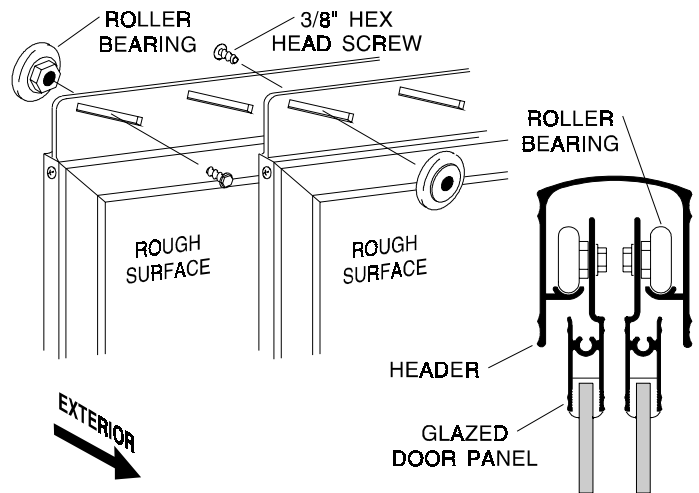
5 Measure the wall-to-wall opening at the top of the wall jambs and cut the header [F] 1/16" short of this dimension. Press the header into position over the wall jambs [B]. Drill two 7/64" holes thru the header into the wall jambs on the interior face and attach two #6-32 x 1/4" pan head screws [G] to secure the header.



6 Notice there is an exterior and an interior door panel [H] as determined by the position of the top bearing fin. Obscure glass should always be installed with the rough side of the glass to the exterior.

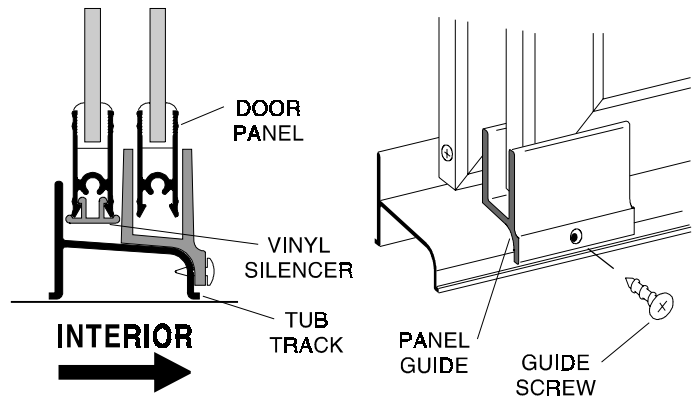
Attach the rollers [J] to the interior and exterior panels using four #8-32 x 3/8" hex head screws [K] centered in the punched slots. Lift the exterior panel into position with the rollers engaging the groove in the header [F]. Repeat for the interior panel.

If panels are not parallel to the wall jambs, remove and adjust rollers up or down to compensate.

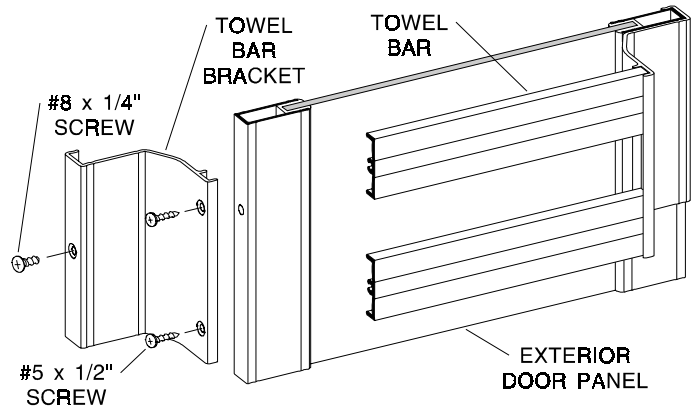


7 Cut the vinyl bottom silencer [L] 3/8" shorter than the width of the door panel and snap it into the bottom rail of the exterior door panel.

Note the V-groove in the inside face of the tub track [A]. Using a 7/64" bit, drill a hole in the center of the tub track in the V-groove. Install the panel guide [M] with a #6 x 3/8" truss head screw [N] thru the drilled hole as shown.

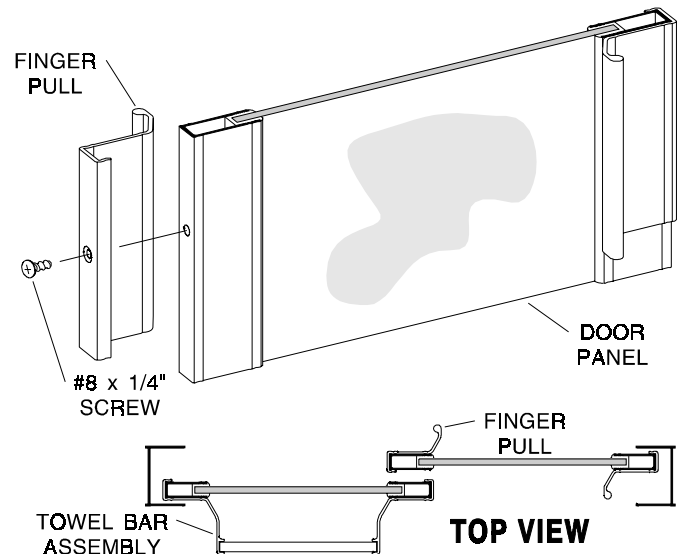


8 Attach the two towel bar brackets [P] to the exterior door panel [H] as shown and attach with two #8-32 x 3/8" truss head screws [R]. Place the two towel bars [S] between the brackets and attach with four #5-32 x 1/2" pan head screws [T].



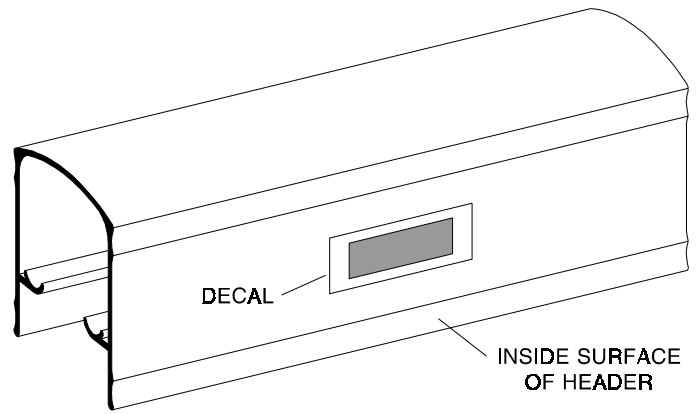
9 The finger pulls [U] should be installed in opposite directions (see illustration) to prevent reversal of the door panels [H]. For maximum waterproofing, the interior panel should always be positioned closest to the shower head. For easier clean-up, the pulls can be installed with both to the interior of the unit.

Attach the finger pulls to the door panels with two #8-32 x 3/8" truss head screws [R].



10

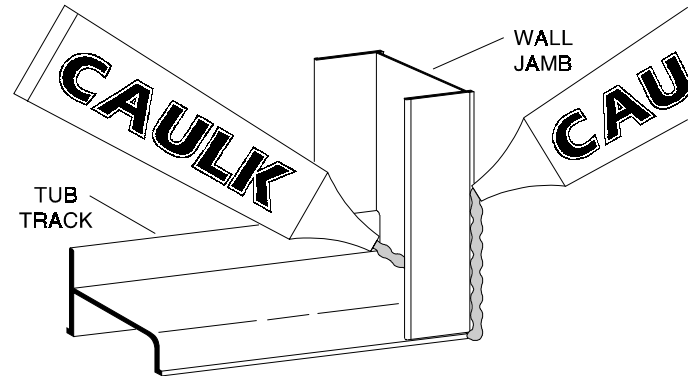
Peel the backing from the ALUMAX decal [V] and apply it to the inside surface of the header [F] as shown in the illustration.



11

Caulk both ends of the tub track [A] where it meets the wall jambs [B] and the interior edges of the wall jambs as shown.

NOTE: We recommend that you let the caulk cure for twenty-four hours before using your new enclosure.



The Care and Cleaning of your new ALUMAX Bath Enclosure. The simplest and preferred method of cleaning your unit is by washing it with clean water and drying with a soft cloth. If soil is still present after drying, a non-abrasive cleanser with a pH of seven to eight may be used. Comet Bathroom Cleaner® has been tested and is recommended by the Bath Enclosure Manufacturers Association (BEMA). Do not use scouring pads, sharp instruments, or acid-based cleansers to clean the unit.

Thank you for choosing an ALUMAX Bath Enclosure. Please take a moment to complete and return the enclosed Customer Response Card. The information you provide helps us improve the quality of our products and provide better service to you, our customer.