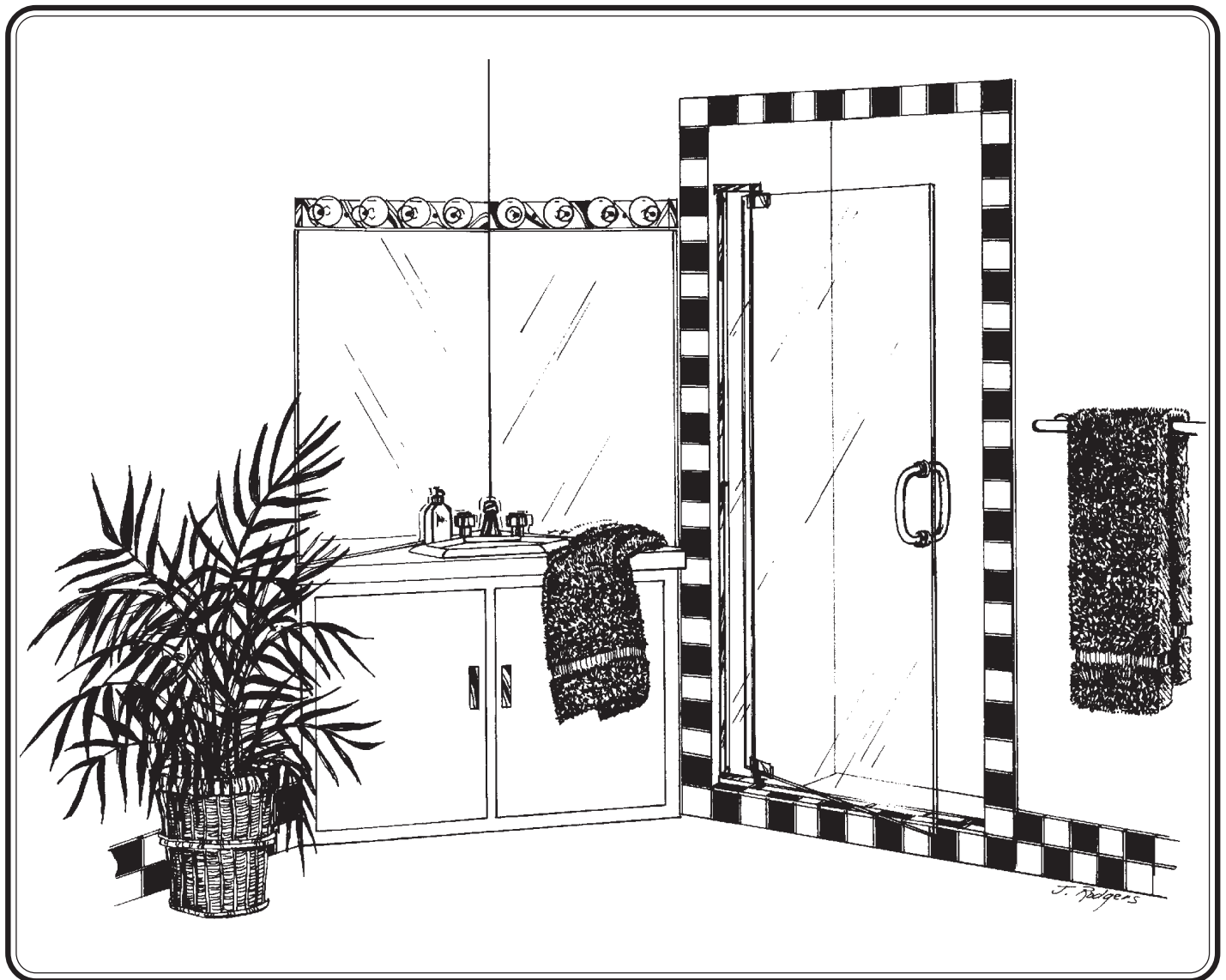


1038 SERIES DELUXE FRAMELESS PIVOT SHOWER DOOR



This Page Intentionally Left Blank.

LIMITED WARRANTY AND REMEDY

Alumax Bath Enclosures warrants to its dealers, customers, and all subsequent purchasers and users, that the products supplied by it shall be free from material defects in material and workmanship for a period of one (1) year after shipment, provided they are installed and maintained according to Alumax Bath Enclosures' recommended practices and installation instructions. This warranty shall apply only to defects appearing within one (1) year from the date of shipment, and provided that Alumax Bath Enclosures is promptly notified in writing of such defects. The sole and exclusive remedy with respect to the above warranty or with respect to any other claim relating to defects or any other condition or use of the products supplied by Alumax Bath Enclosures, however caused, and whether such claim is based upon warranty contract, negligence, strict liability, or any other theory, is limited to repair or supply of such products, or repayment by Alumax Bath Enclosures of the purchase price paid for it, at Alumax Bath Enclosures' option.

Alumax Bath Enclosures does not make any other representations or warranties, express or implied, including, but not limited to, any implied warranty of merchantability and any implied warranty of fitness for a particular purpose. In no event shall Alumax Bath Enclosures be liable for special, direct, indirect, or consequential damages, including, but not limited to, loss or use of profits.

Dealers agree to pass on to its customers and users in writing Alumax Bath Enclosures' Warranty and Remedy as set forth above.

Laws and building and safety codes governing the design and use of bath enclosures vary widely. Alumax Bath Enclosures does not control the selection of product configurations, operating hardware or glazing materials, and assumes no responsibility therefor.

INSTALLATION NOTES

Unpack your unit carefully and inspect for freight damage. Lay out and identify all parts using the instruction sheets as a reference. Before discarding the carton, check for small hardware bags that tend to fall to the bottom of the box. If any parts are damaged or missing, refer to the descriptions noted in the instructions when contacting your dealer for replacements.

Handle glazed panels carefully and protect the edges. Safety tempered glass is very resistant to breakage, but the sharp corners of the panels can damage tile and floor coverings.

Please wear safety glasses whenever drilling or cutting. When drilling holes in ceramic tile or marble, use a center punch and hammer to carefully break the surface glaze so the drill can start without skidding.

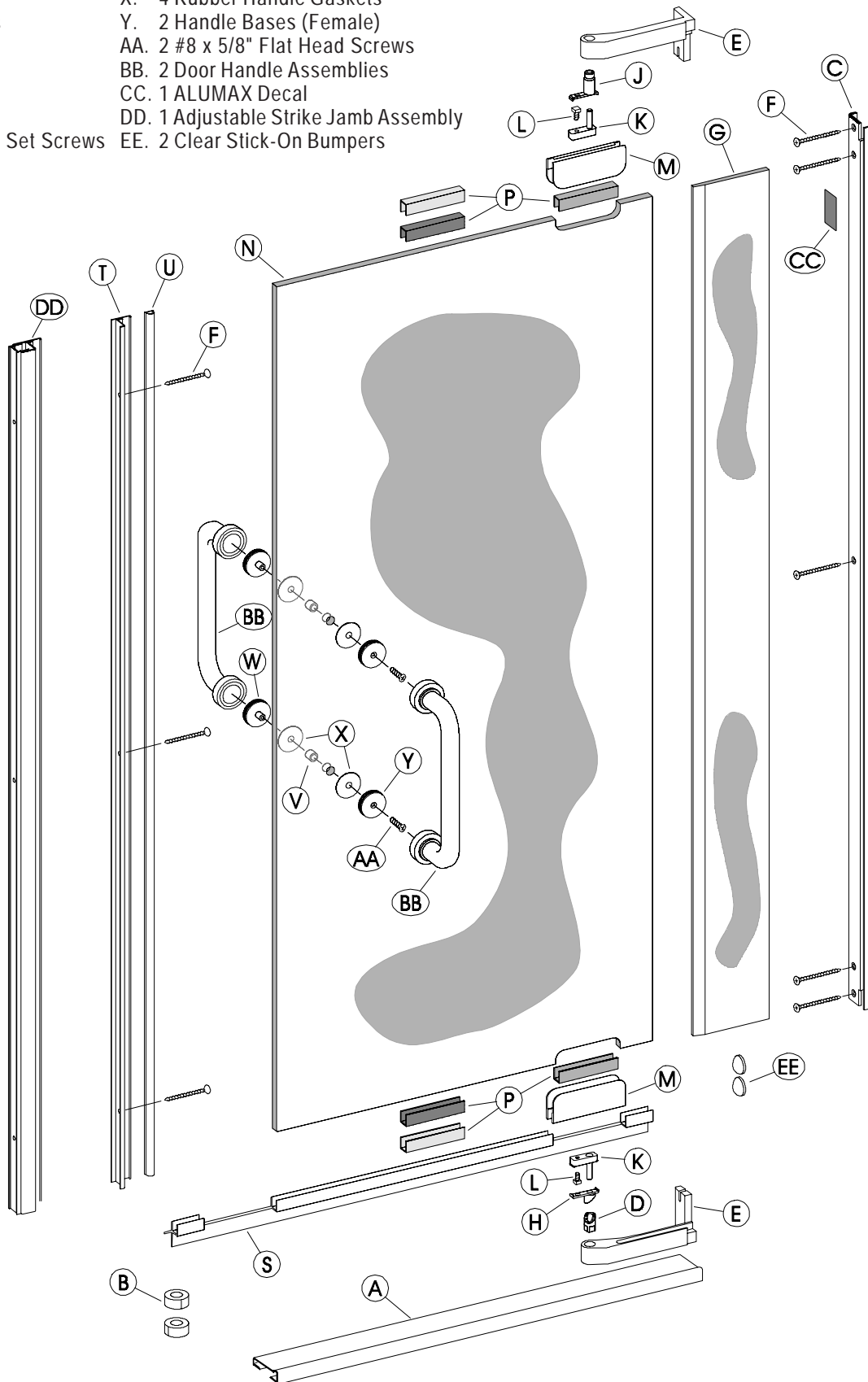
To install your Alumax Bath Enclosure you will need the following: pencil, level, tape measure, hacksaw, hammer or mallet, wood block, #2 Phillips screwdriver, flat screwdriver, drill, 1/8" drill bit, and caulking (clear silicone recommended). Optional tools include a miter box for cutting parts to length, files, center punch and masking tape.

NOTE: Before beginning installation, check the walls of your shower enclosure for plumb. For proper operation of the gravity pivot mechanism, it is critical that the jamb is installed absolutely plumb. An adjustable strike jamb is included with this unit that can correct for up to 3/8" out of plumb (strike side only). Contact your dealer if you have installation problems.

CAUTION: The 1038 frameless door weighs 50 to 70 pounds, according to size. To prevent personal injury or damage, the door must be properly installed with the pivot jamb securely anchored. Make certain that the shower enclosure has been installed with a solid 2x4 wood backing at the door mounting area. Standard plastic wall anchors are not recommended for use with this unit. Please use a helper when hanging the door.

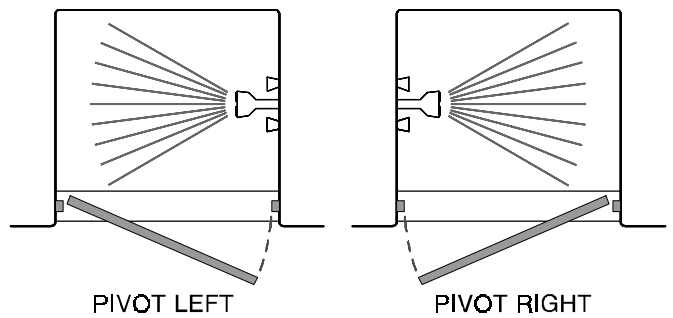
1038 PARTS LIST

- | | |
|---|---------------------------------------|
| A. 1 Curb | T. 1 Strike Jamb |
| B. 2 Rolls of Tape (double-stick) | U. 1 Bulb Vinyl for Strike |
| C. 1 Pivot Jamb | V. 2 Nylon Handle Bushings |
| D. 1 Female Gravity Pivot | W. 2 Handle Bases (Male) |
| E. 2 Pivot Brackets | X. 4 Rubber Handle Gaskets |
| F. 8 #8 x 2" Flat Head Screws | Y. 2 Handle Bases (Female) |
| G. 1 Beveled Glass Jamb | AA. 2 #8 x 5/8" Flat Head Screws |
| H. 1 Male Gravity Pivot | BB. 2 Door Handle Assemblies |
| J. 1 Upper Pivot Bushing | CC. 1 ALUMAX Decal |
| K. 2 Pivot Blocks with Pins | DD. 1 Adjustable Strike Jamb Assembly |
| L. 2 #10 x 7/16" Square Head Set Screws | EE. 2 Clear Stick-On Bumpers |
| M. 2 Door Rails | |
| N. 1 Glass Door | |
| P. 6 Vinyl Rail Shims (3 sets) | |
| S. 1 Vinyl Drip Deflector | |



1

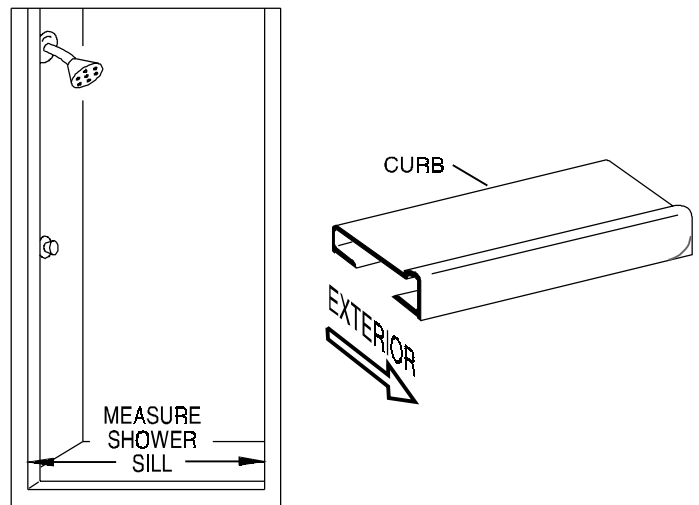
The Alumax 1038 Deluxe Frameless Pivot Shower Door is completely reversible and may be installed pivot-left or pivot-right. Using the diagram, determine the correct position for your installation. For maximum waterproofing, the pivot jamb should always be opposite the shower head. These instructions depict a pivot-right installation.



2

NOTE: The 1038 unit may be installed without using the sloped curb [A] provided. Its use is recommended for positive water control on shower sills with little or no slope.

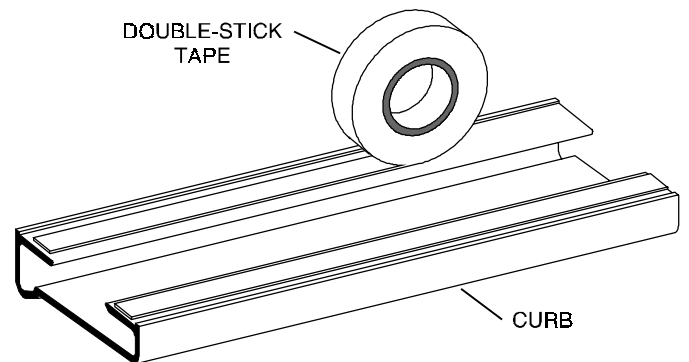
Measure the wall to wall opening at the shower sill and cut the curb to the exact length. File the ends of the curb as necessary to fit the corner contours of the enclosure. Place the curb on the shower sill, with the raised portion to the exterior of the stall, making sure that it is centered on the sill. Lightly mark the inside and outside edges of the curb with a pencil and remove from the sill.



3

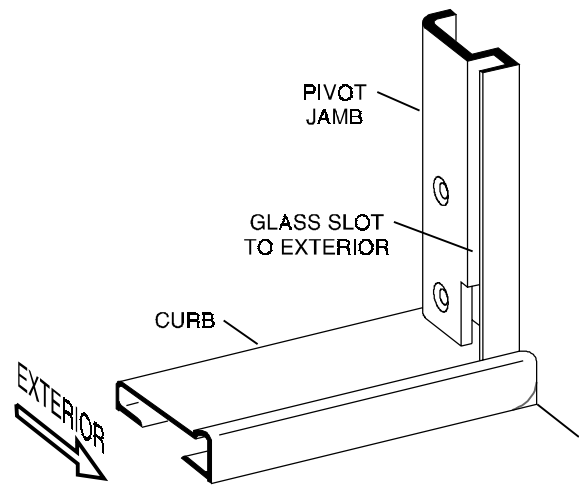
Unroll the double-stick tape [B] and carefully press the sticky side onto the flat surfaces on the bottom of the curb [A]. Remove the protective covering from the tape and carefully (you only get one try) replace the curb on the sill between the marks.

OPTION: Place a bead of caulk on both flat surfaces on the bottom of the curb. Then replace the curb on the sill between the marks.



4 Place the pivot jamb [C] on the curb as shown, with the exterior face (slotted side) against the raised portion of the curb. Use a level to plumb the jamb and then mark the hole locations. For proper operation of the gravity pivot, it is critical that the pivot jamb is installed absolutely plumb.

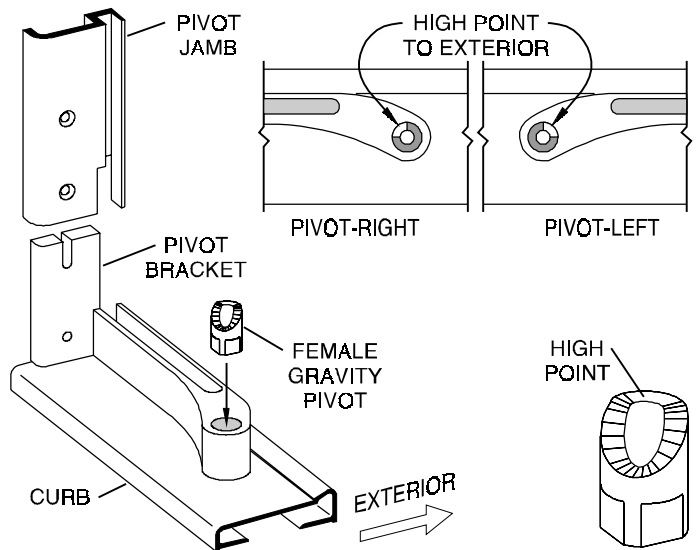
Remove the jamb and drill the holes with a 1/8" drill bit.



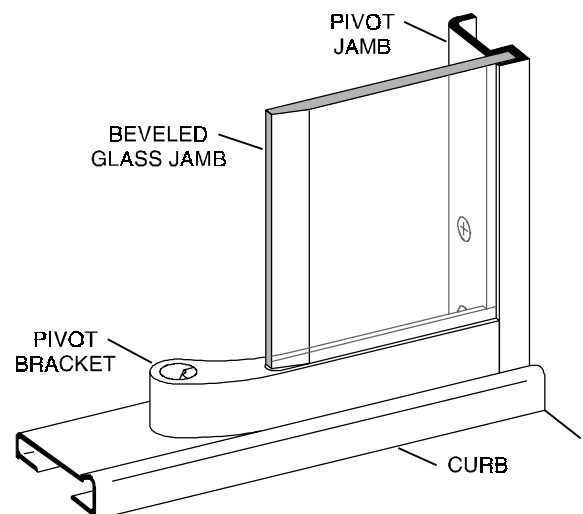
5 Insert the female gravity pivot [D] into the bottom pivot bracket [E] with the high side to the exterior edge. The flat on the side of the gravity pivot must mesh with the flat inside the bracket. Push the gravity pivot flush with the top of the bracket.

NOTE: The female gravity pivot must be properly oriented for the door closing mechanism to operate correctly.

Place the pivot bracket into the slot on the pivot jamb as shown and replace on the curb. Attach the pivot jamb to the wall using five #8 x 2" flat head screws [F]. Do not overtighten the screws.

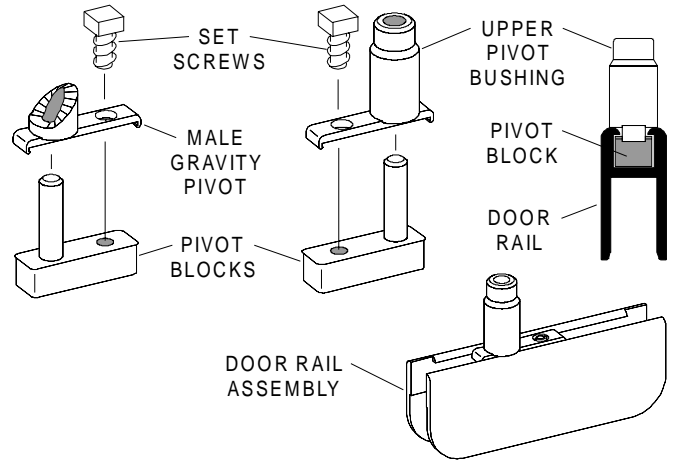


6 Squeeze a 1/4" bead of caulk (clear silicone recommended) into the slot in the bottom pivot bracket [E] and the slot in the face of the pivot jamb [C]. Press the beveled glass jamb [G] into the caulk with the beveled edge on the exterior side and away from the pivot jamb.



7

Snap the male gravity pivot [H] and the upper pivot bushing [J] onto the two pivot blocks [K] as shown. Thread a #10 x 7/16" square head set screw [L] into each pivot block. Slide one pivot block into each door rail [M].

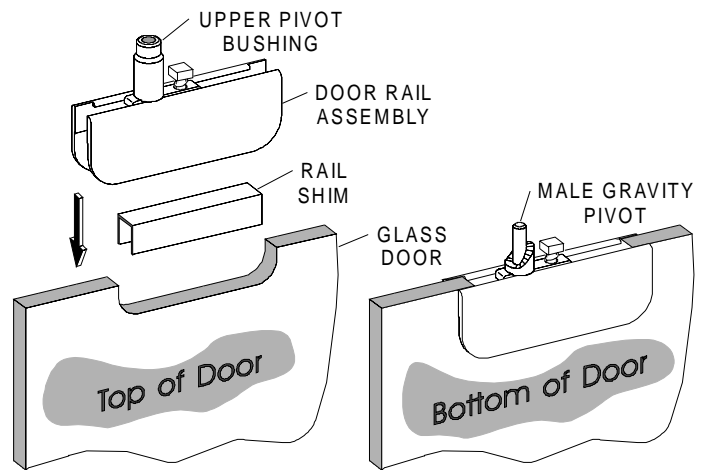


8

NOTE: Three sets of vinyl rail shims in varying thicknesses have been supplied with this unit to compensate for door glass that is thicker or thinner than nominal.

Place the door [N] in a secure position with each end accessible. Determine the top of the door by the logo painted on the glass. Place one piece of the vinyl rail shim [P] in each notch on the door. Position the top and bottom rails [M] so that the set screw on the pivot block will be to the handle side of the door, as shown on the exploded view. With a hammer and wood block, carefully tap the rails onto the glass until the rails are approximately flush with the edge of the glass. To ease assembly, use glass cleaner as a lubricant.

CAUTION: The glass can chip if care is not taken to keep the rail square with the glass and centered in the notch.

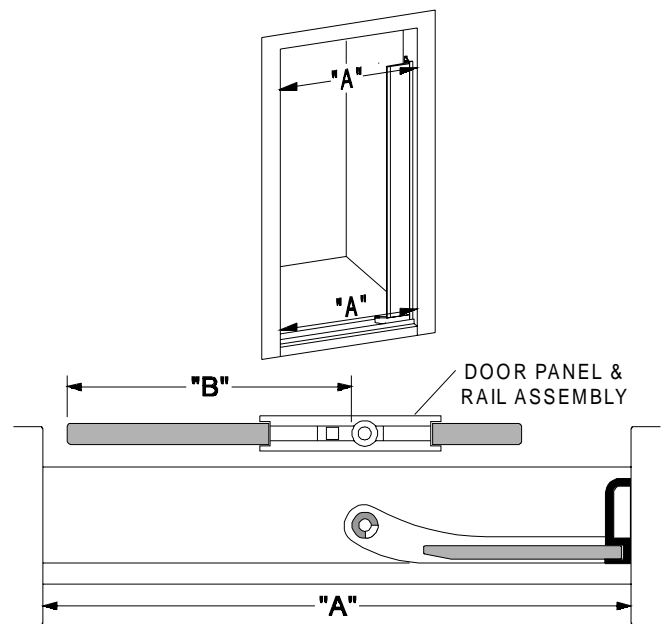


9

Measure the wall-to-wall opening at the top and bottom bracket [E] locations. If the two measurements are less than 1/8" different, then you should use the standard strike jamb [T]. If the measurements are 1/8" to 3/8" different, then you must use the adjustable strike jamb (see Adj. Option below).

Subtract 5 3/8" from the smaller of the two dimensions (Dim. "A") to get Dimension "B". Set the pivot block locations by using the "B" dimension measured from the edge of the door to the side of both the male gravity pivot and the upper pivot bushing. Tighten the set screws on the top and bottom pivots with a 3/16" wrench.

ADJ. OPTION: If using the adjustable strike jamb [DD], subtract 5 13/16" from the smaller of the two dimensions (Dim. "A") to get Dimension "B". Adjust the pivot block locations as described above.

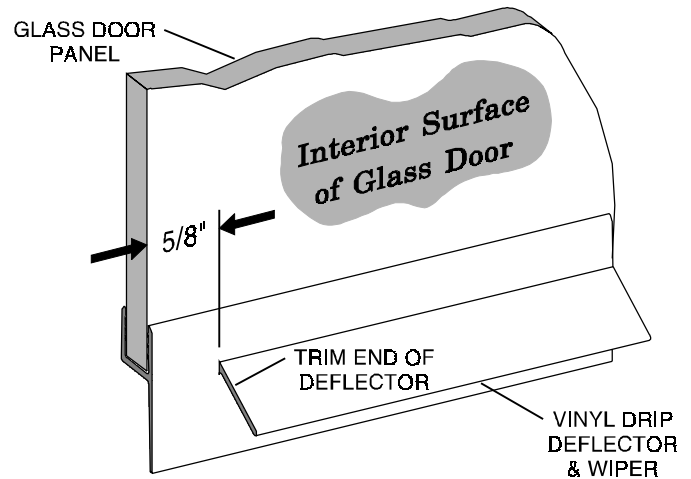


10

Hold the clear vinyl drip deflector [S] over the bottom rail [M] so that the rigid splash guard will be to the interior when the door is hung. Mark the drip deflector at the edge of the door. Remove the deflector and cut it off square at the mark. Carefully cut back 5/8" of the splash guard to prevent interference with the strike jamb [T].

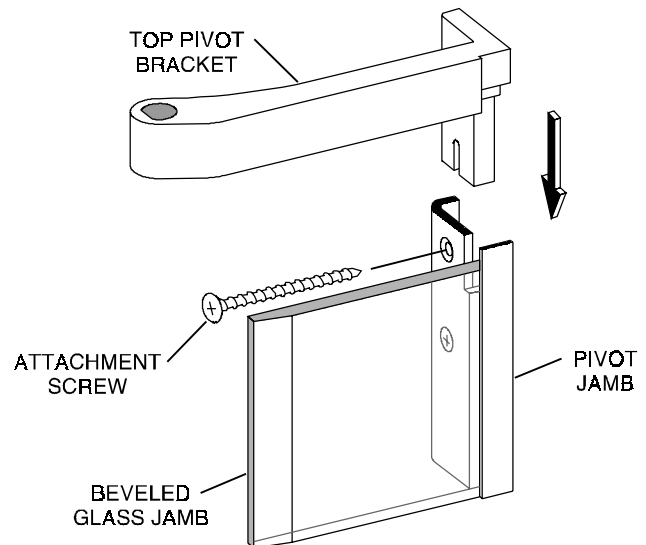
Install the drip deflector by gently tapping it over the door and bottom rail with a hammer and wood block. To ease assembly, use glass cleaner for lubrication.

CAUTION: The drip deflector can be damaged if the door is stood upright with its full weight upon the deflector.



11

Remove the top screw [F] on the pivot jamb and loosen the second screw down from the top. Run a 1/4" bead of caulk into the slot on the top pivot bracket [E] and slide it partway into position on top of the pivot jamb. Do not push it all the way down at this time.



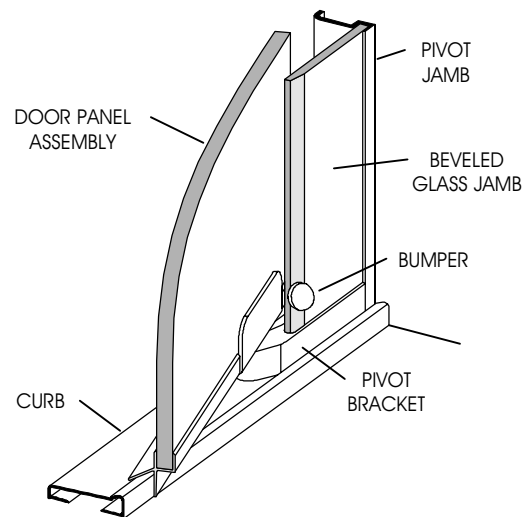
12

NOTE: Due to the size and weight of the door, this step should not be undertaken by only one person.

Lift the door and set the bottom gravity pivot [H] into the hole in the bottom pivot bracket, making sure the pivot pin engages the female gravity pivot [D]. Hold the door vertical and align the upper pivot bushing [J] with the hole in the top pivot bracket [E]. Press the bracket down over the pivot bushing and the beveled glass jamb until a #8 x 2" flat head screw [F] can be inserted thru the upper hole in the pivot jamb and the pivot bracket. Tighten the top two screws.

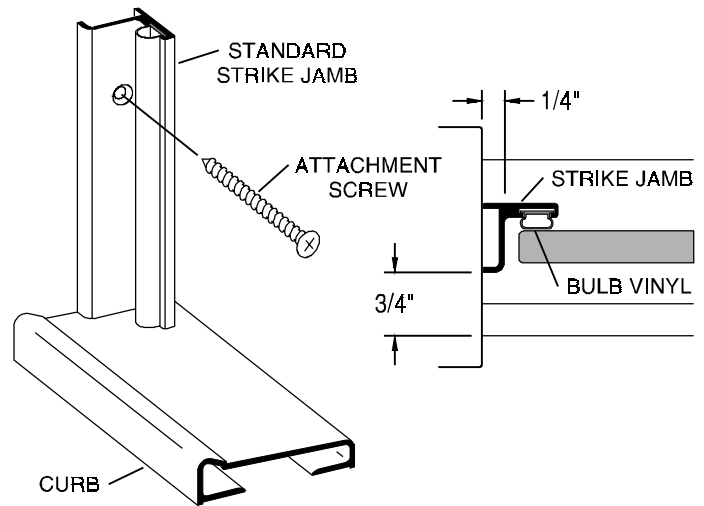
CAUTION: The door may be damaged if it is allowed to swing shut without restraint before the strike jamb has been installed.

If the door will be allowed to swing open beyond 90°, place one clear stick-on bumper [EE] on the beveled edge at the top of the beveled glass jamb and one at the bottom to prevent the top and bottom rail from damaging the beveled glass panel.

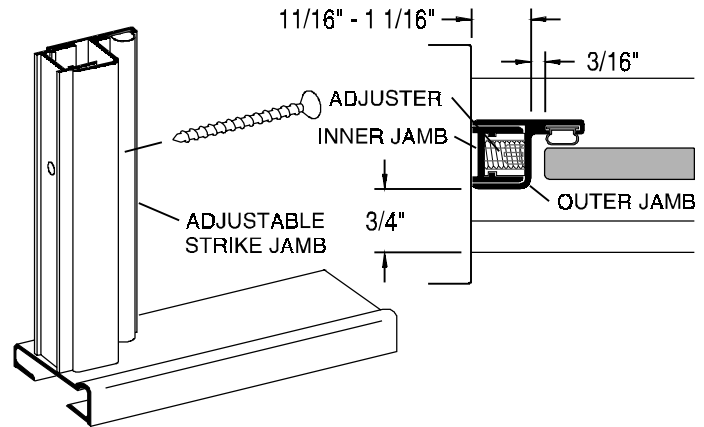


13

Slide the bulb vinyl [U] into the strike jamb [T] as shown. Set the jamb $3/4"$ back from the front of the curb and use the door as a guide to align it vertically. Hold the jamb in position and mark the hole locations. Remove and drill the holes using a $1/8"$ drill bit. Attach the strike jamb with three #8 x 2" flat head screws [F].

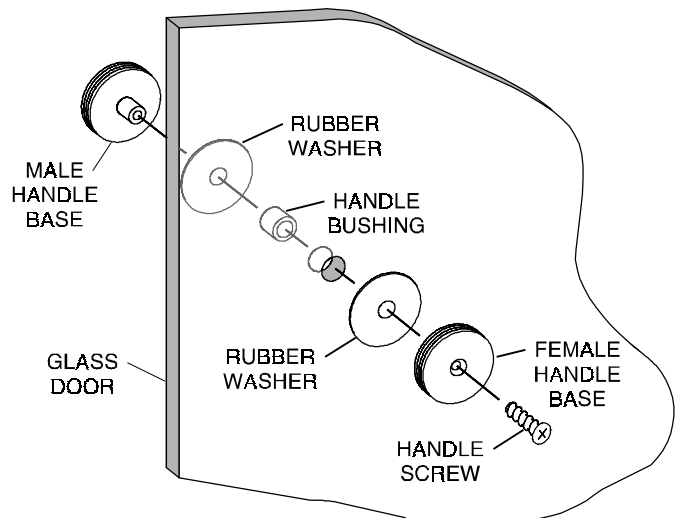


ADJ. OPTION: The adjustable jamb [DD] can be adjusted with a flat screwdriver inserted into the mounting holes. Turn the adjuster clockwise to collapse the jamb and counter-clockwise to expand it. Make sure the jamb is collapsed (minimum width). Slide the bulb vinyl into the assembled adjustable jamb and install per the instructions above. Before installing the mounting screws, check the jamb for lateral alignment with the door. Adjust the jamb to maintain a $3/16"$ gap (see detail). Install the three mounting screws (do not overtighten).



14

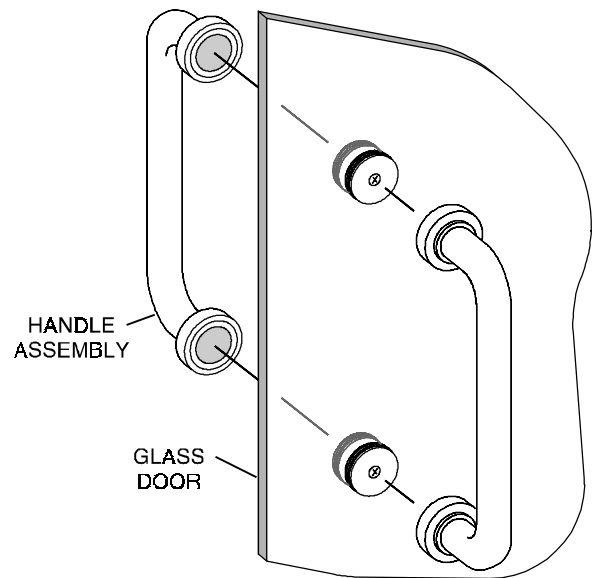
Place a nylon handle bushing [V] over the shank of the male handle base [W]. Slip a rubber washer [X] over the bushing. Install into one of the holes in the glass door. Place a second rubber washer against the opposite surface of the glass, position the female handle base [Y] over it and attach it securely with a #8 x 5/8" flat head screw [AA]. Repeat for the second hole.



15

Hold one of the handle assemblies **[BB]** against the handle bases and screw the outer handle rings onto the bases. Do not overtighten or use tools that might damage the finish.

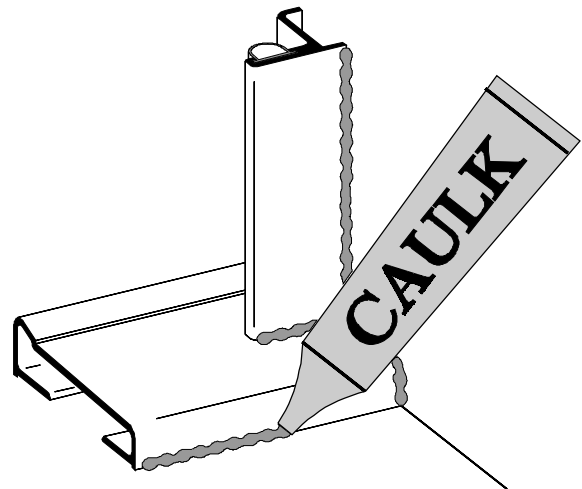
Repeat for the remaining handle assembly.



16

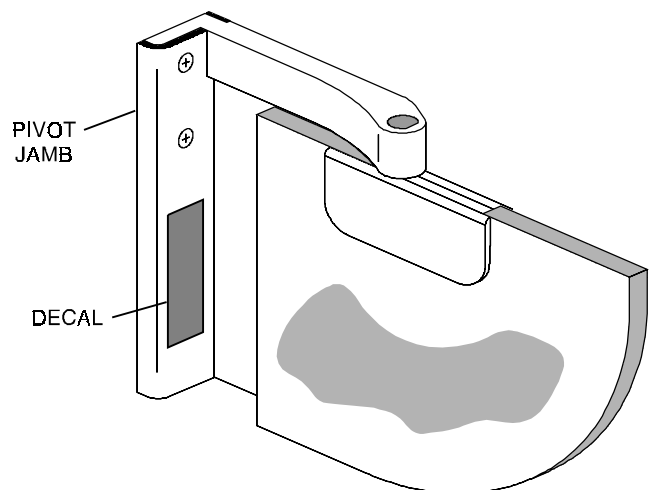
Neatly caulk the entire perimeter of the inside curb and jambs.

NOTE: The caulking should be allowed to cure for 24 hours before using your new shower enclosure.



17

Peel the backing from the Alumax decal **[CC]** and attach it to the pivot jamb below the top two screws.



The Care and Cleaning of your new Alumax Bath Enclosure. The simplest and preferred method of cleaning your unit is by washing it with clean water and drying with a soft cloth. If soil is still present after drying, a non-abrasive cleanser with a pH of seven to eight may be used. Comet Bathroom Cleaner[®] has been tested and is recommended by the Bath Enclosure Manufacturers Association (BEMA). Do not use scouring pads, sharp instruments, or acid-based cleansers to clean the unit.

Thank you for choosing an Alumax Bath Enclosure. Please take a moment to complete and return the enclosed Customer Response Card. The information you provide helps us improve the quality of our products and provide better service to you, our customer.